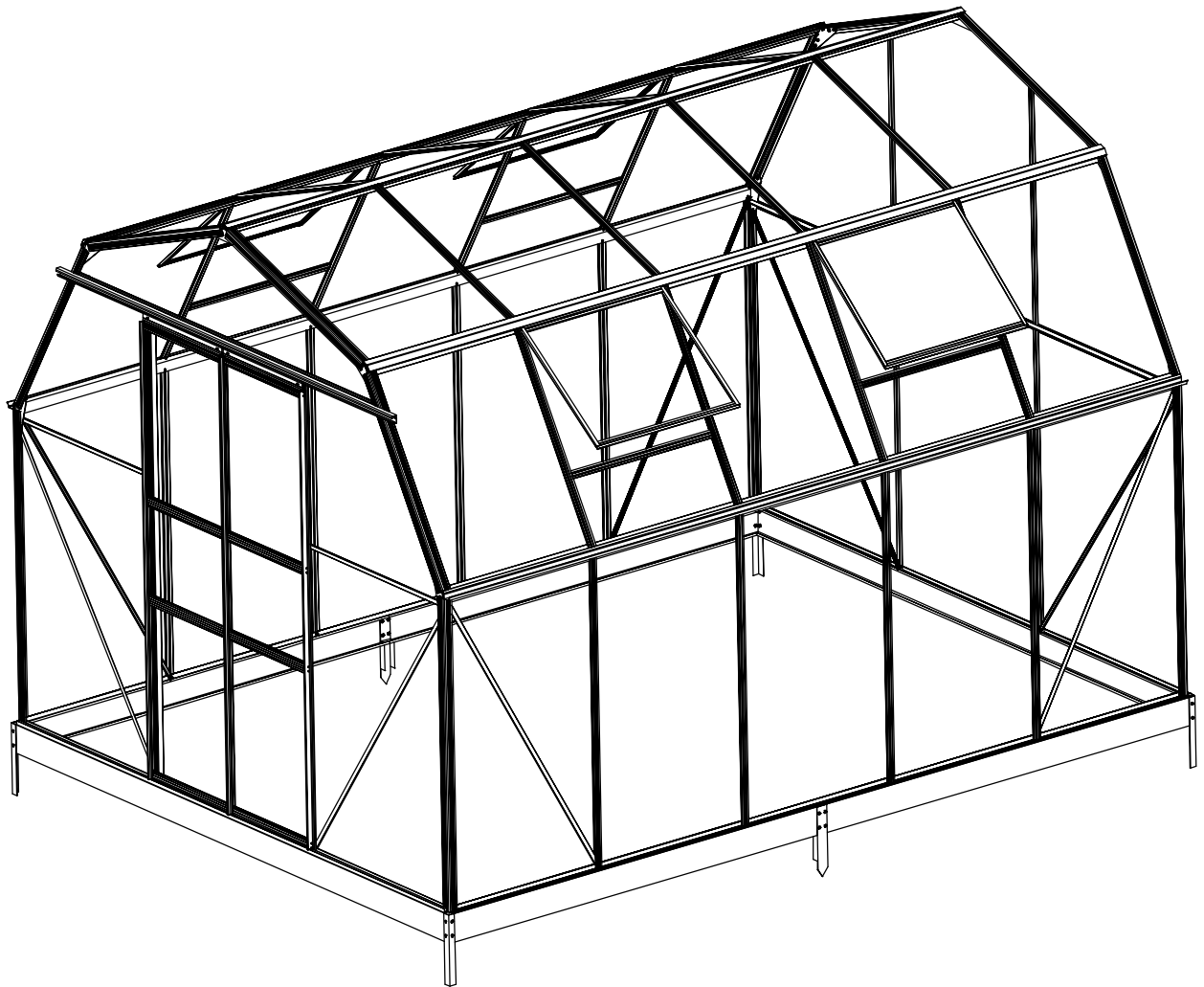


NISON

GREENHOUSE

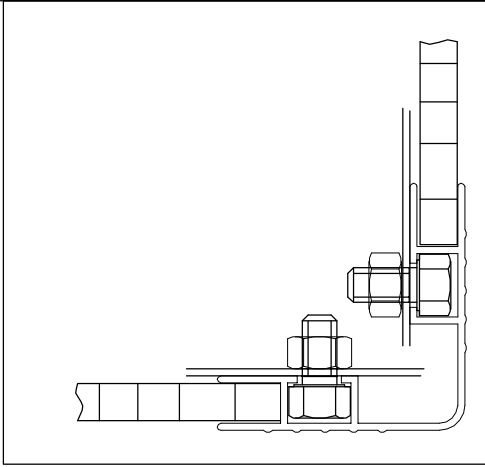
Assembly instructions



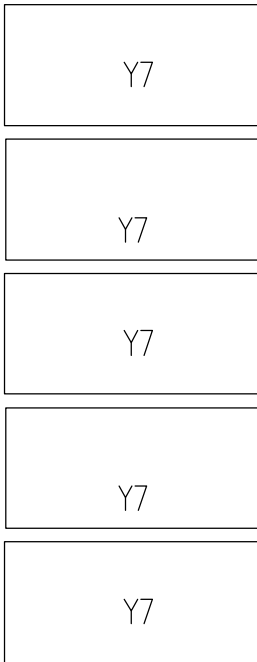
MODEL:SH7504C-G

PRODUCT SIZE(LxWxH):370x277x252cm

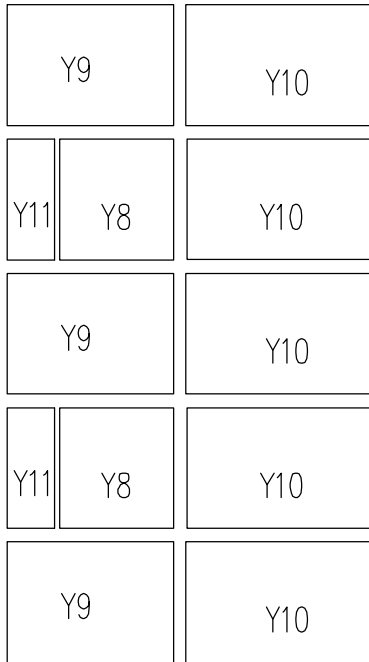
PLEASE READ CAREFULLY BEFORE USE



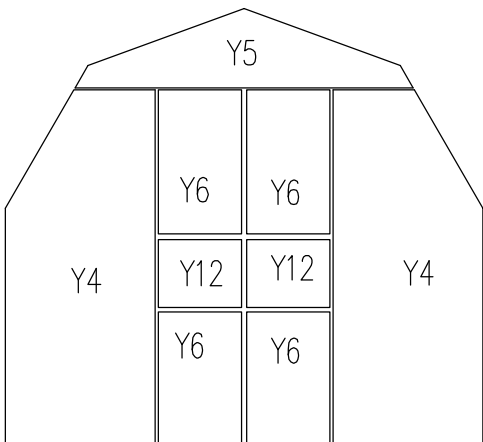
NO.	Part	QTY.	NO.	Part	QTY.
	J06A	3		L17	1
	J06B	2		L14	1
	J06C	8		L08A	1
	W01	4		L08B	2
	W02	6		L08C	1
	W03	2		L07	2
	W04	12		L06	3
NO.	Part	QTY.		L05A	2
	S01	2		L05B	2
	M01	2		L05C	2
	S02	126		L05D	4
	M02	126		L04A	1
NO.	Part	QTY.		L04B	1
	J01	6		L03A	1
	J02R/L	2/2		L03B	1
				L03C	3
				L03D	1
				L02A	8
				L02B	16
				L01A	2
				L01B	2
				L01C	4
				L01D	4



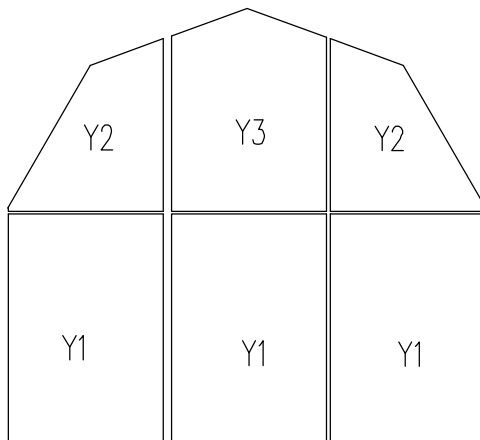
SIDE



ROOF



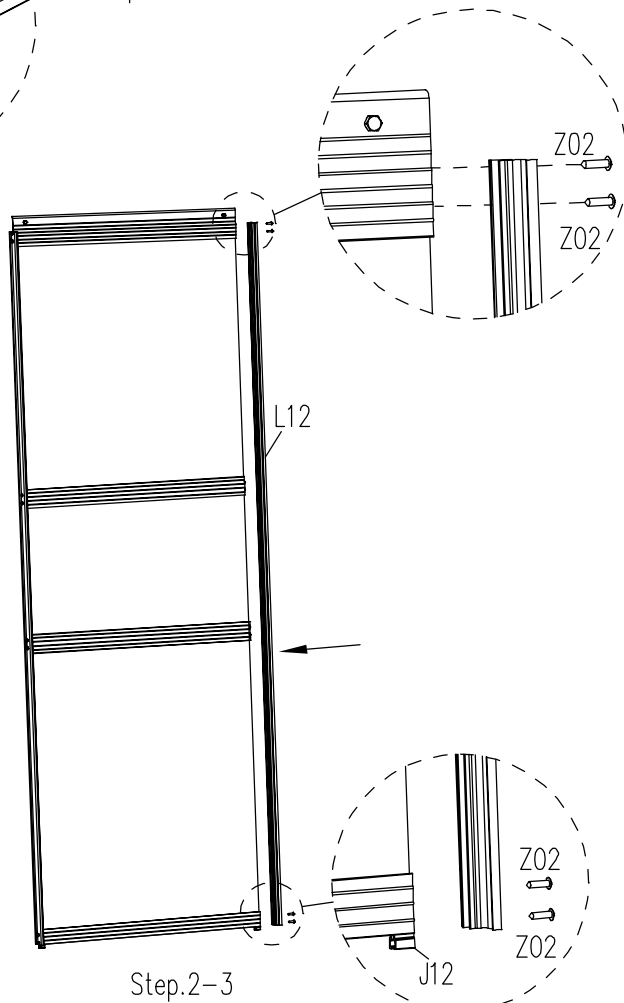
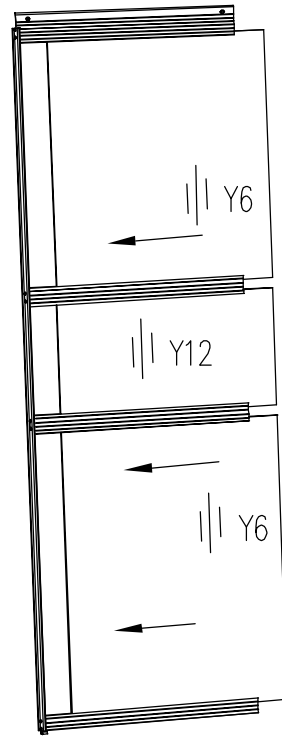
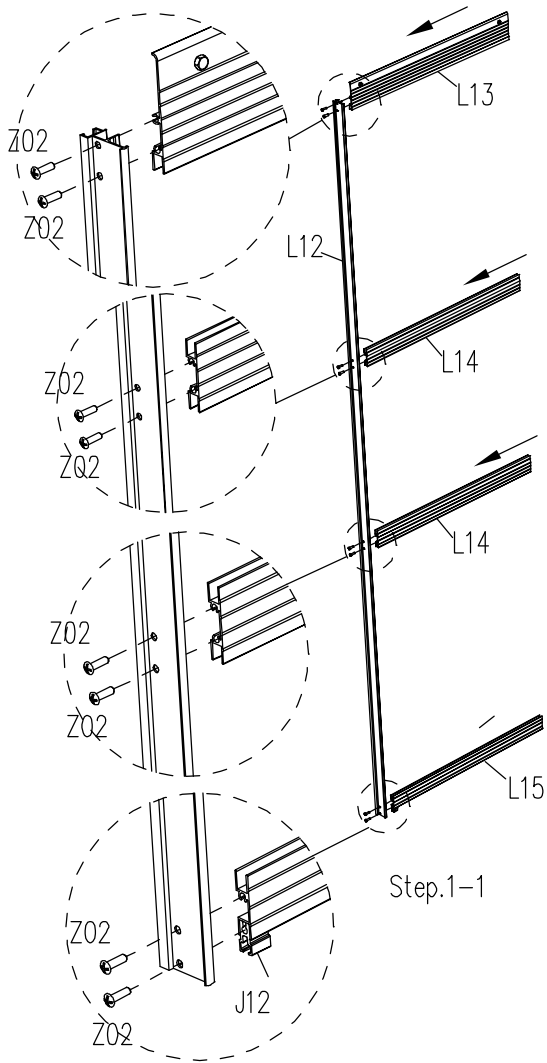
FRONT


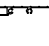

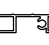
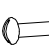


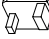


REAR

NO.	QTY.
Y1	3
Y2	2
Y3	1
Y4	2
Y5	1
Y6	4
Y7	10
Y8	4
Y9	6
Y10	10
Y11	4
Y12	2

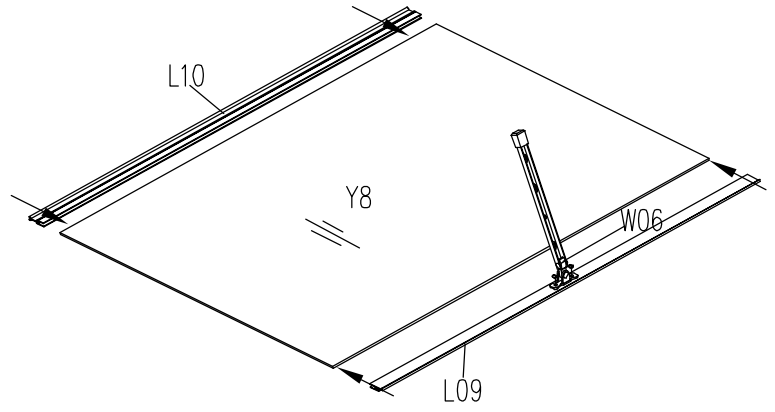
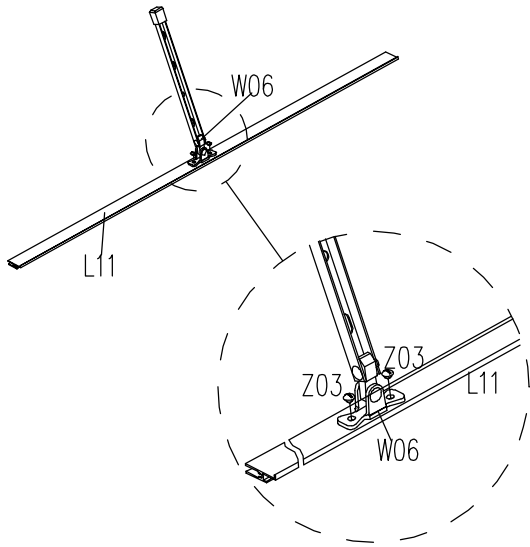
Step.1 Door Frame Assembly



PART	NO.	Qty.
	L12	4
	L13	2
	L14	4
	L15	2
	Z02	32
	Z03	2
	J12	2
	J03	2

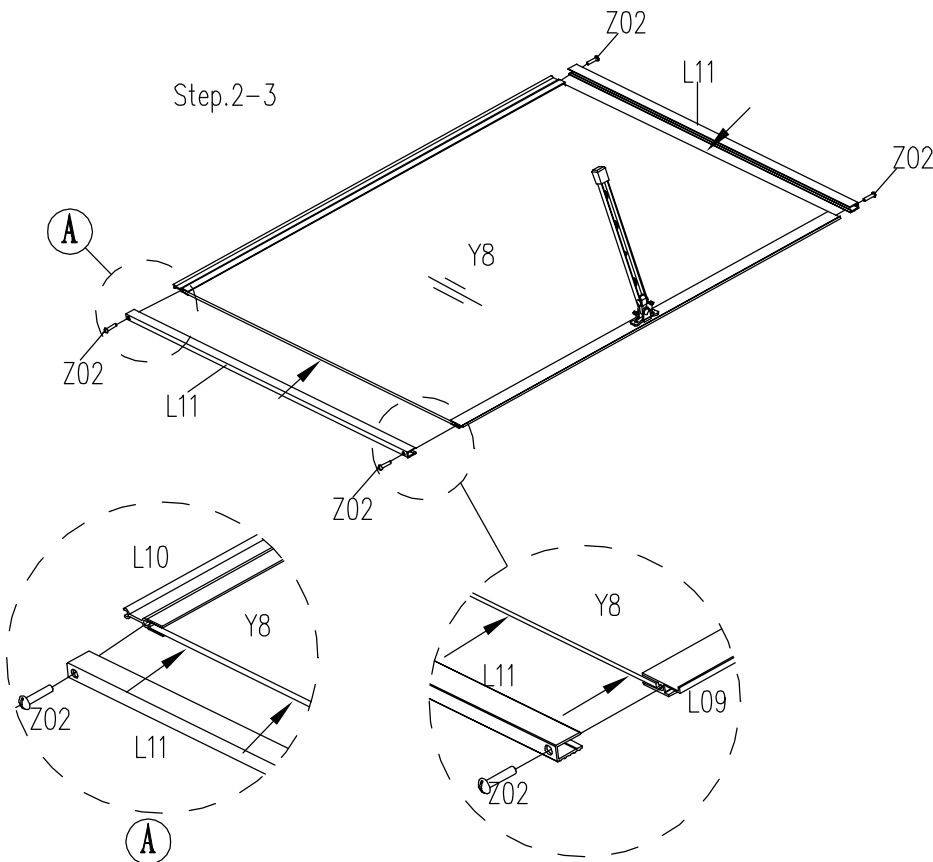
Step.2 Lid Frame Assembly

Step.2-1



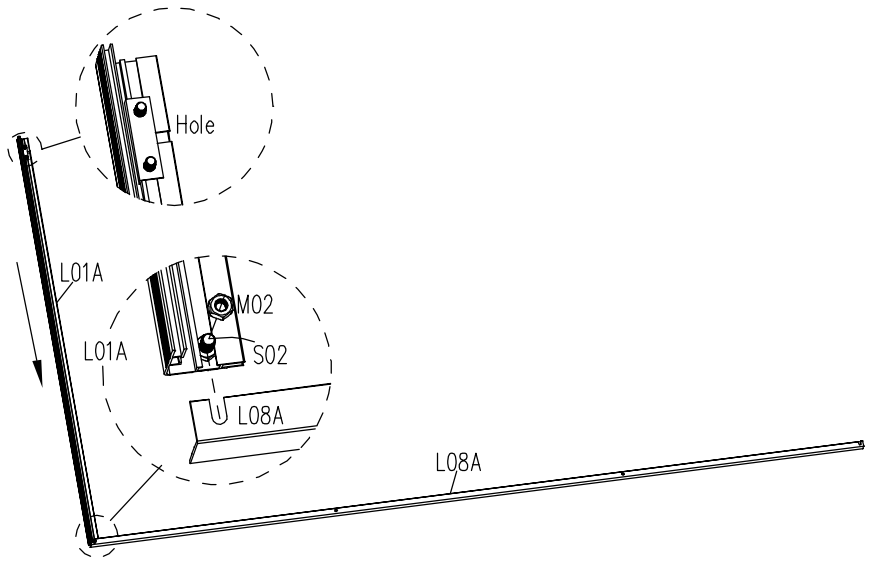
Step.2-2

Step.2-3

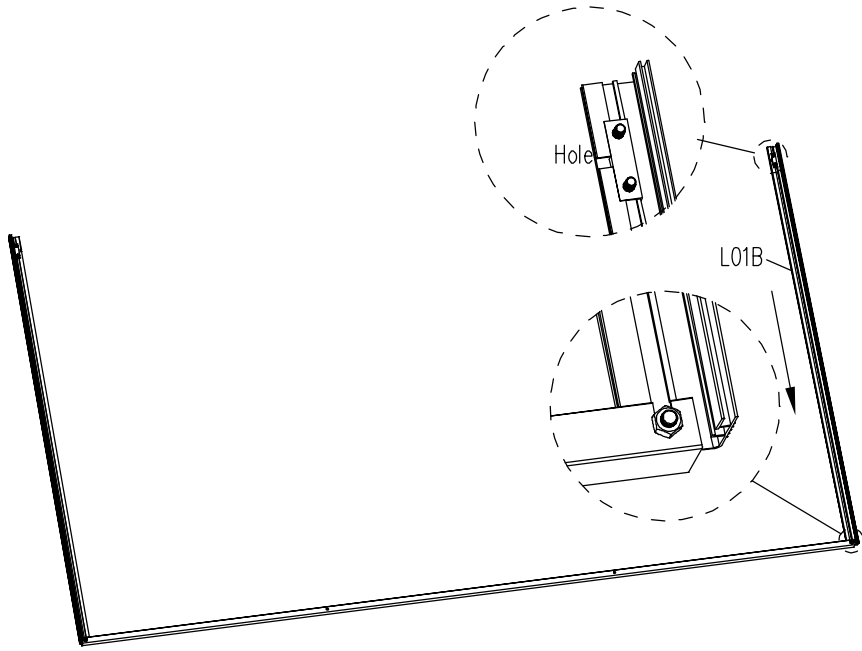


PART	NO.	QTY.
	L11	8
	L10	4
	L09	4
	L03E	4
	Z03	8
	Z02	16
	W06	4
	L12	4

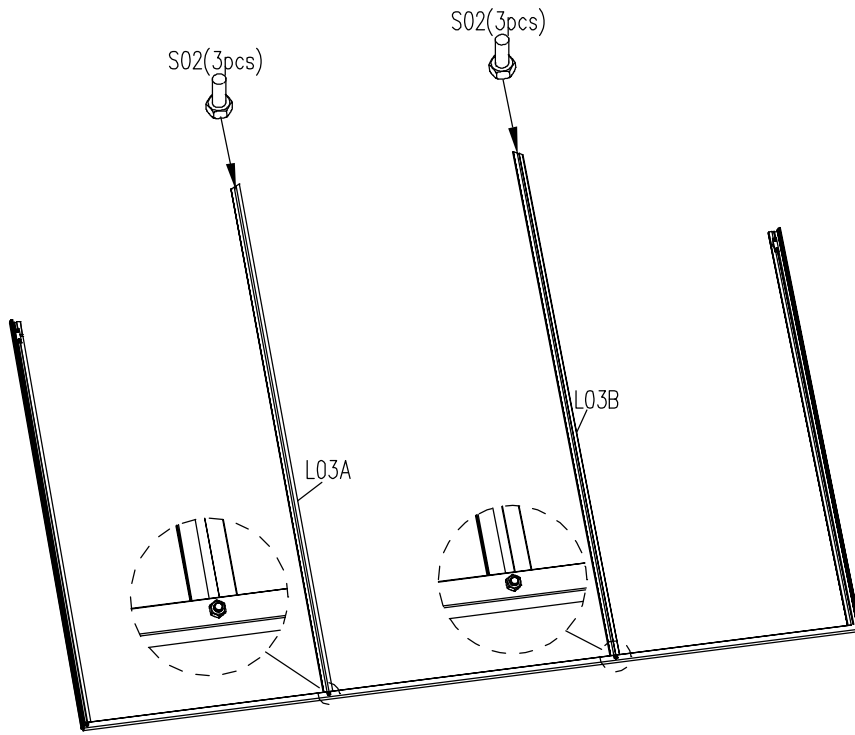
Step.3 Rear Frame Assembly



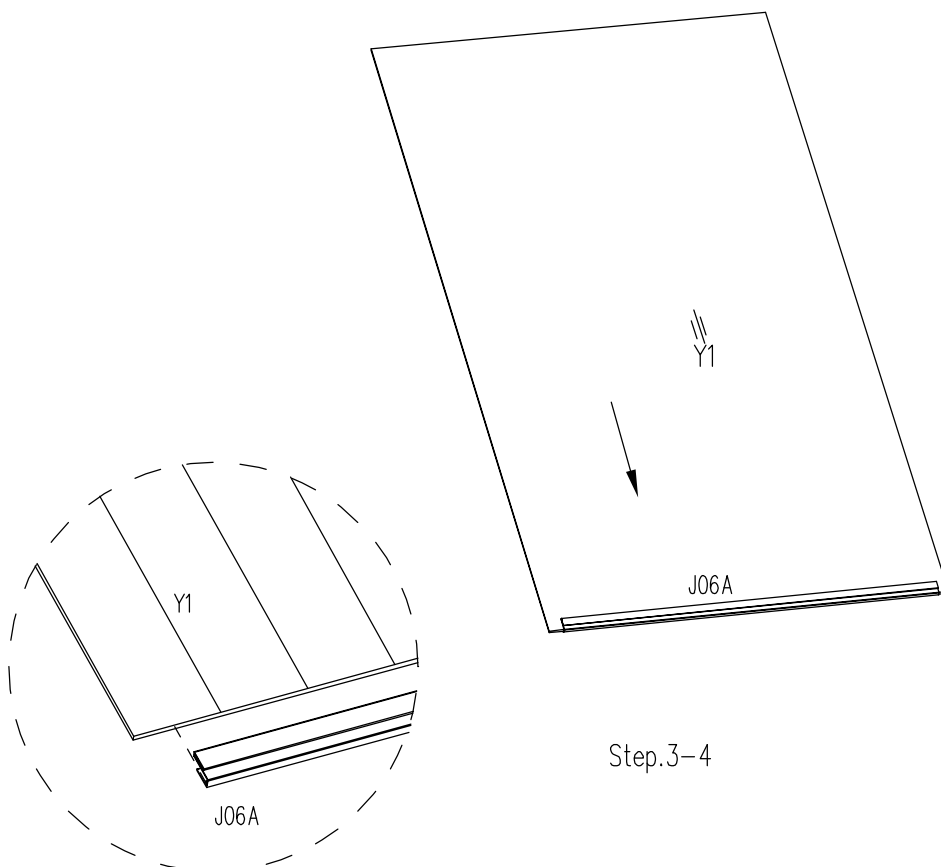
Step.3-1



Step.3-2

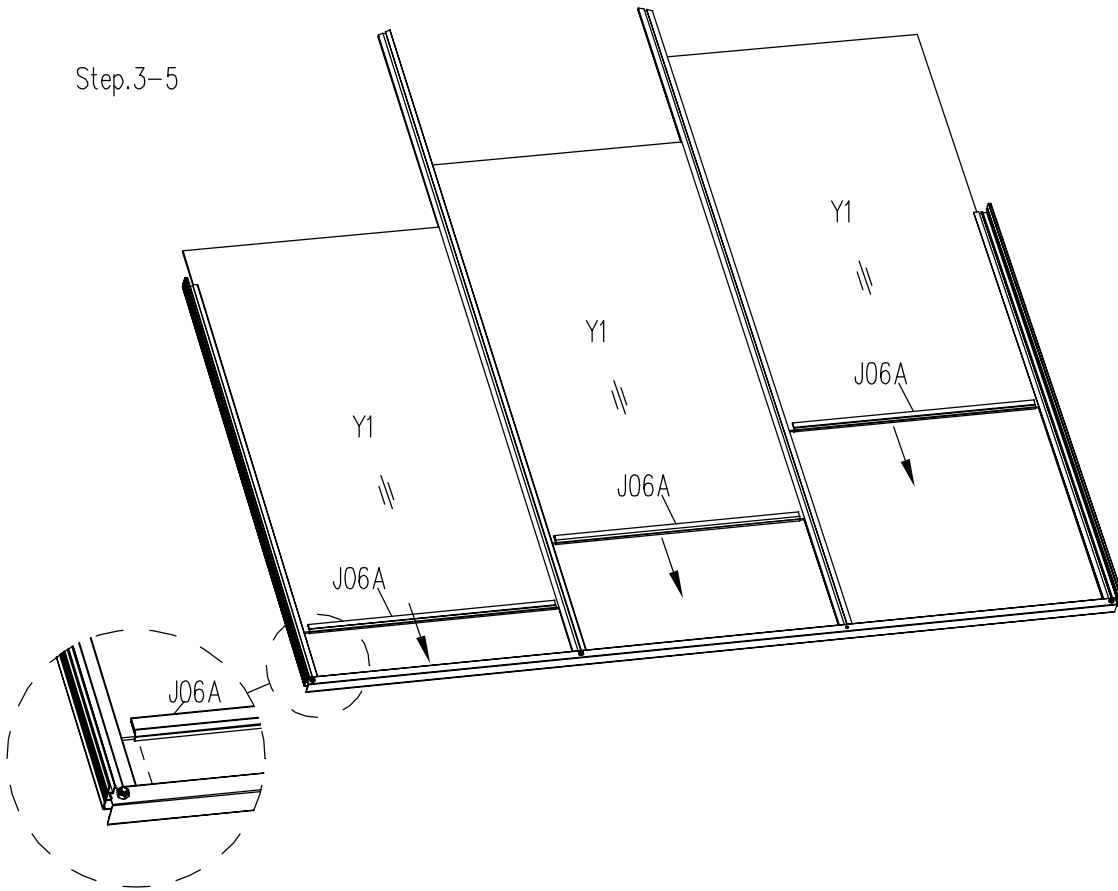


Step.3-3

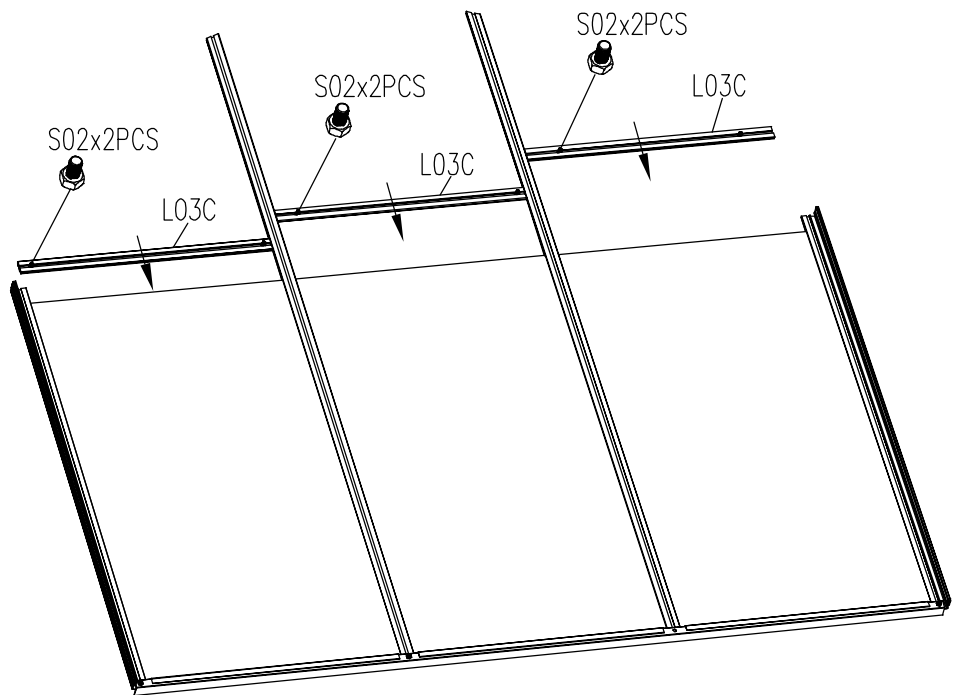


Step.3-4

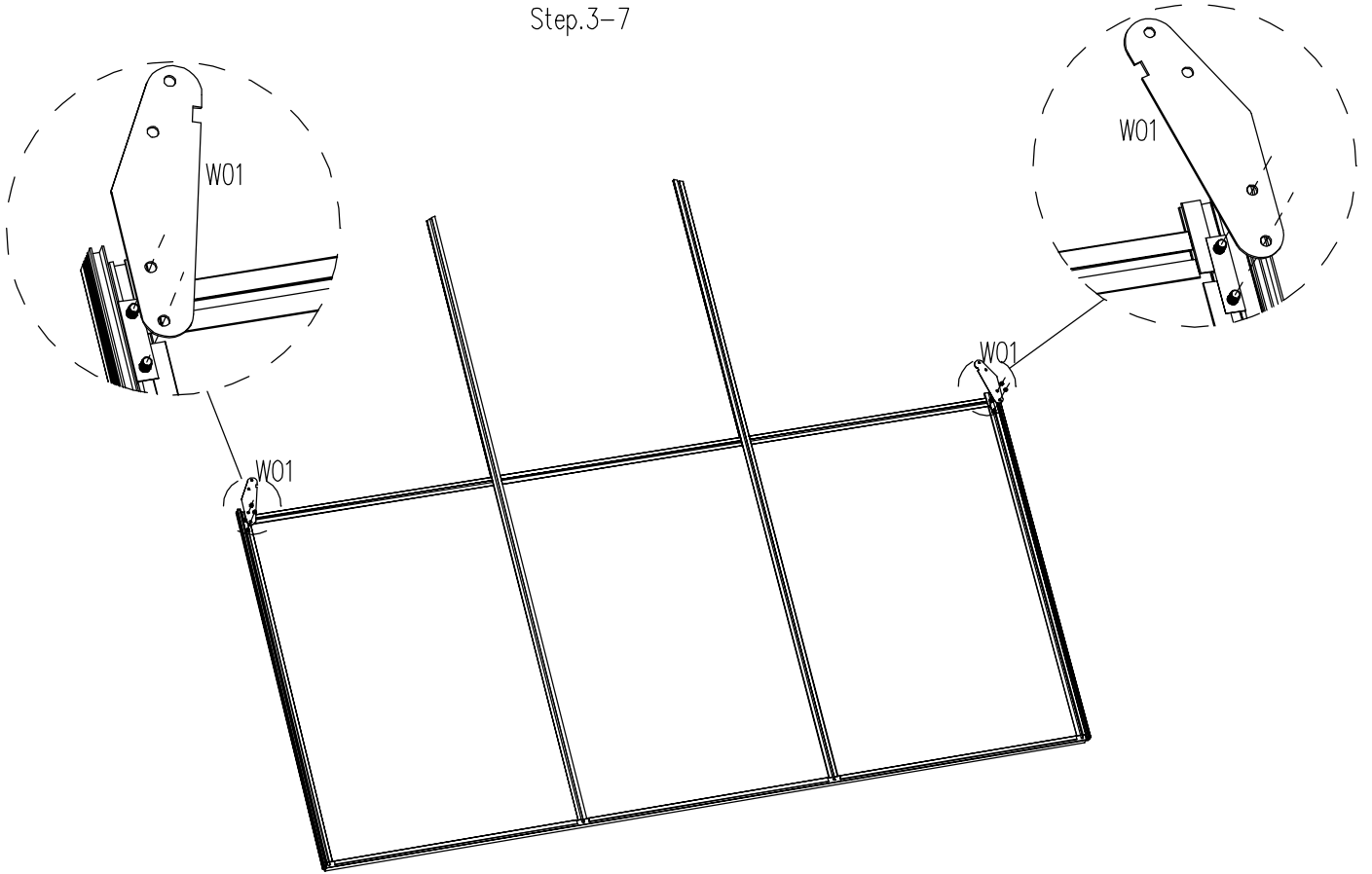
Step.3-5



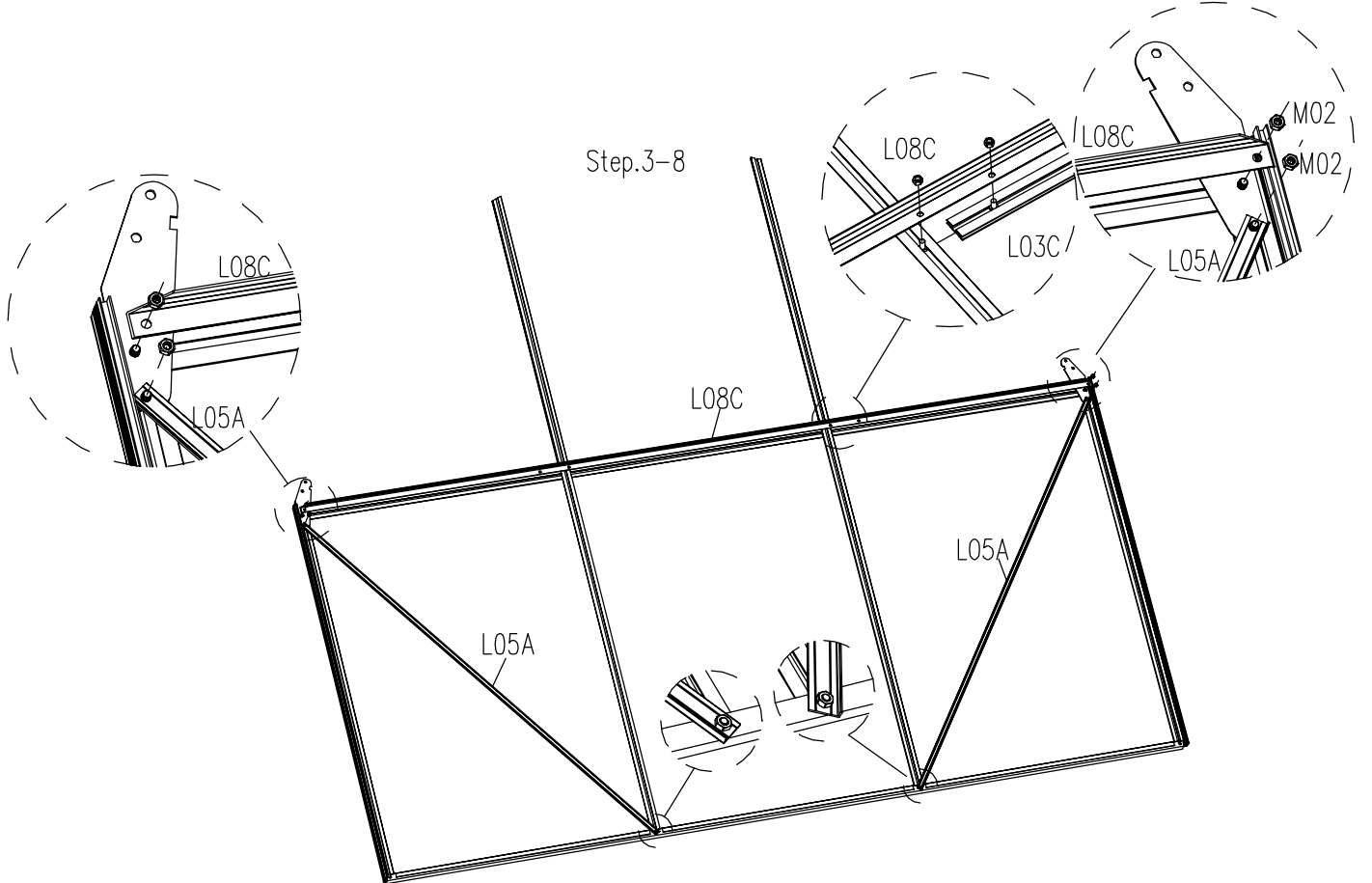
Step.3-6

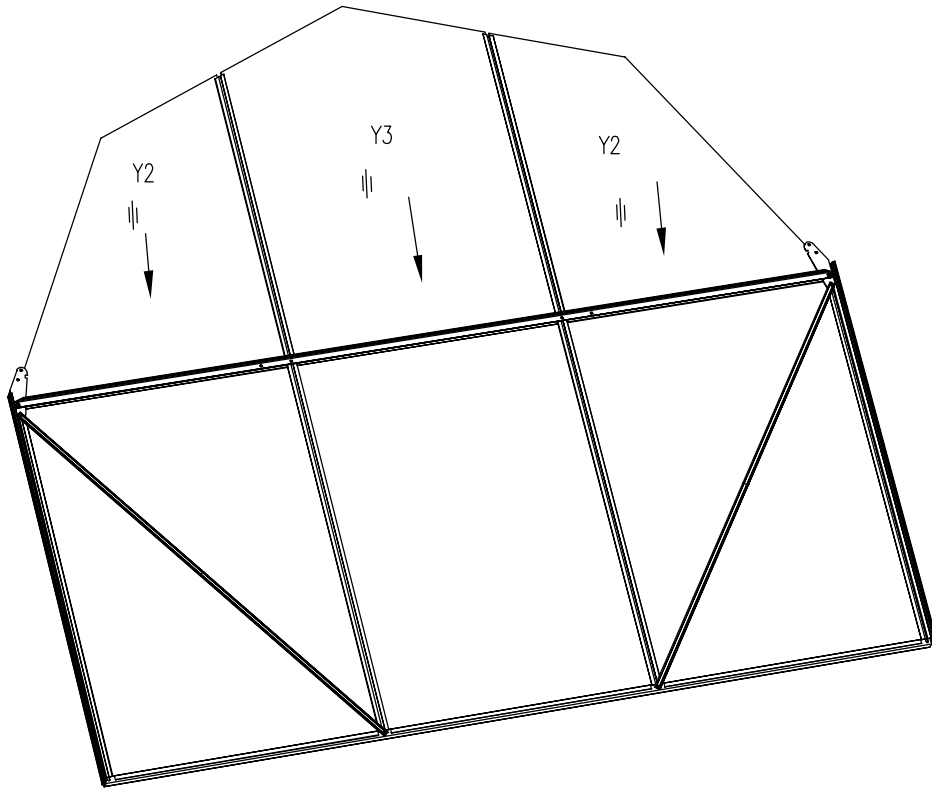


Step.3-7

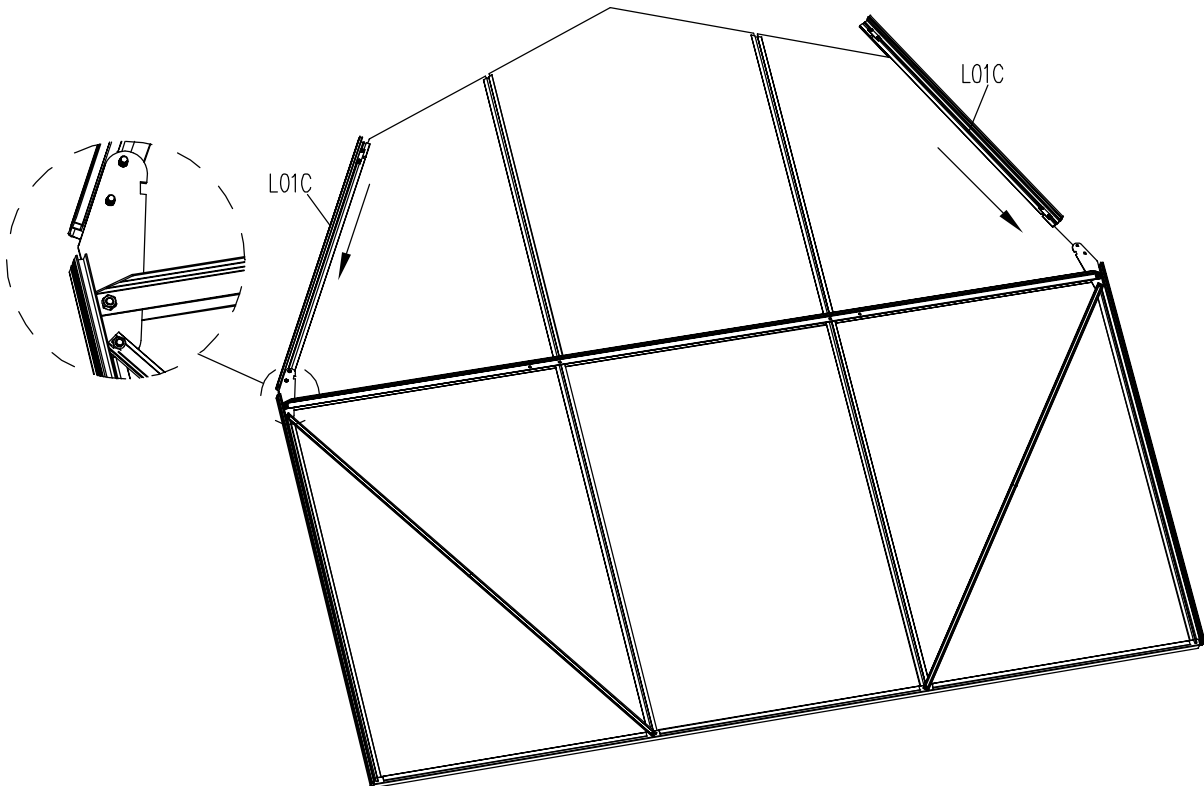


Step.3-8





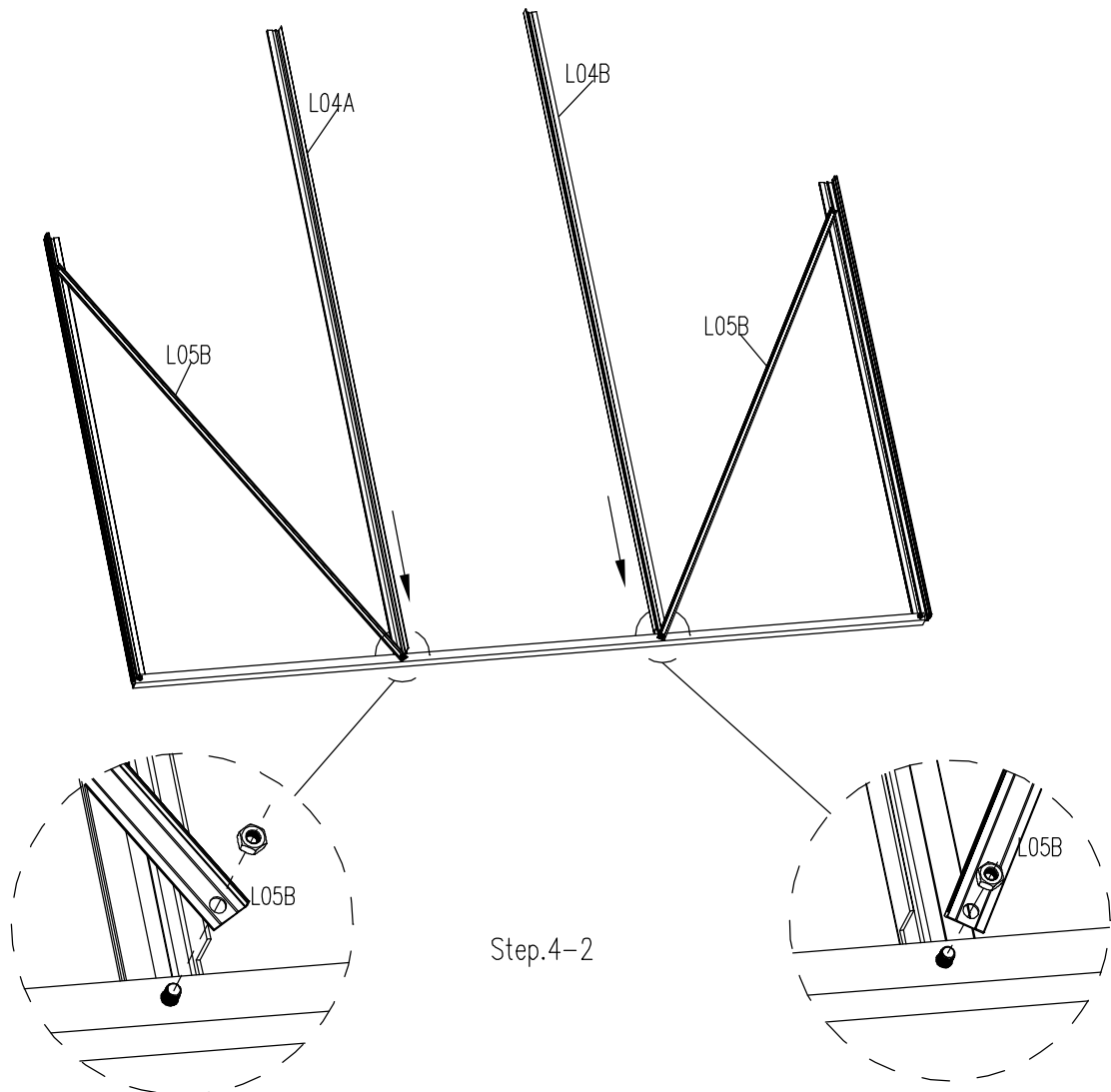
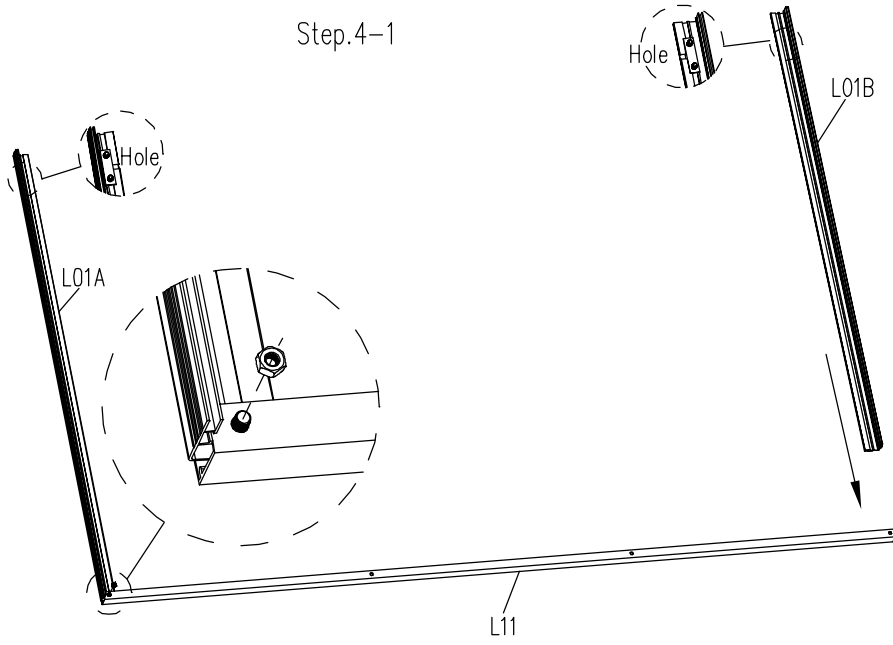
Step.3-9



Step.3-10

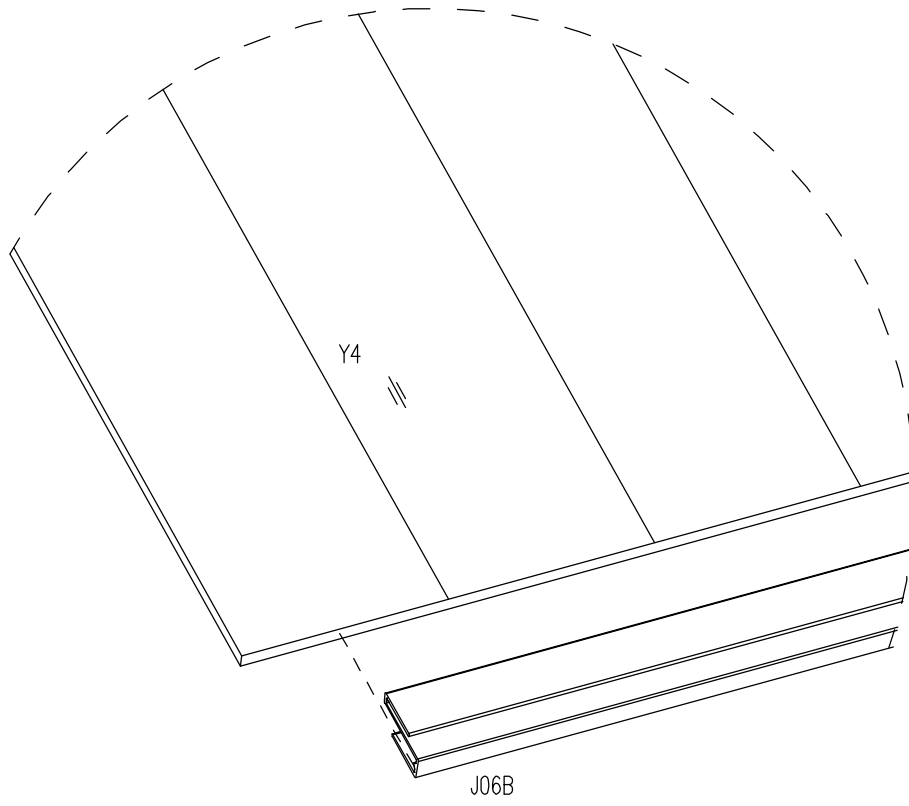
Step.4 Front Frame Assembly

Step.4-1

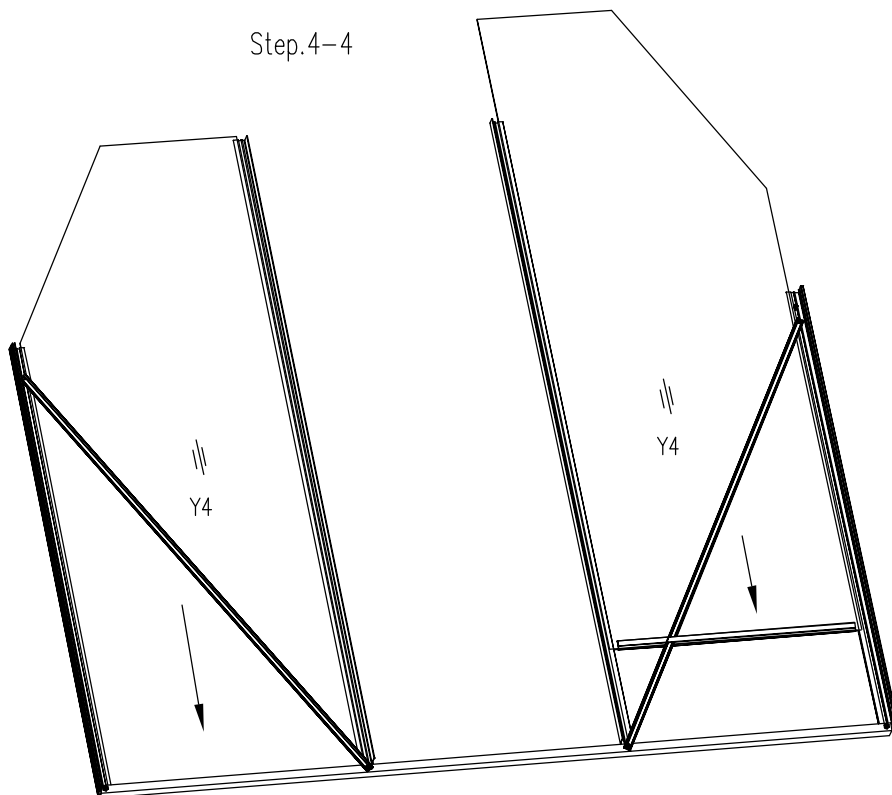


Step.4-2

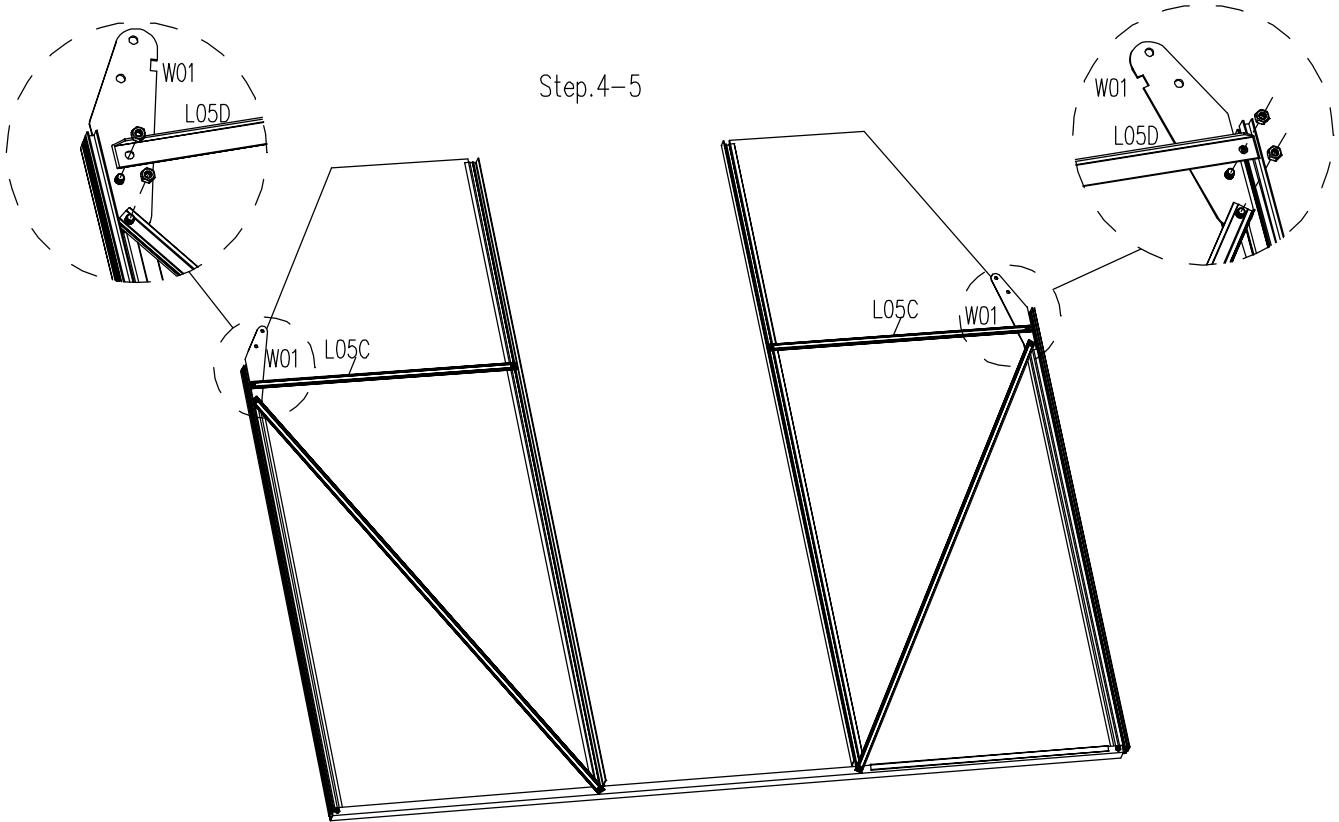
Step.4-3



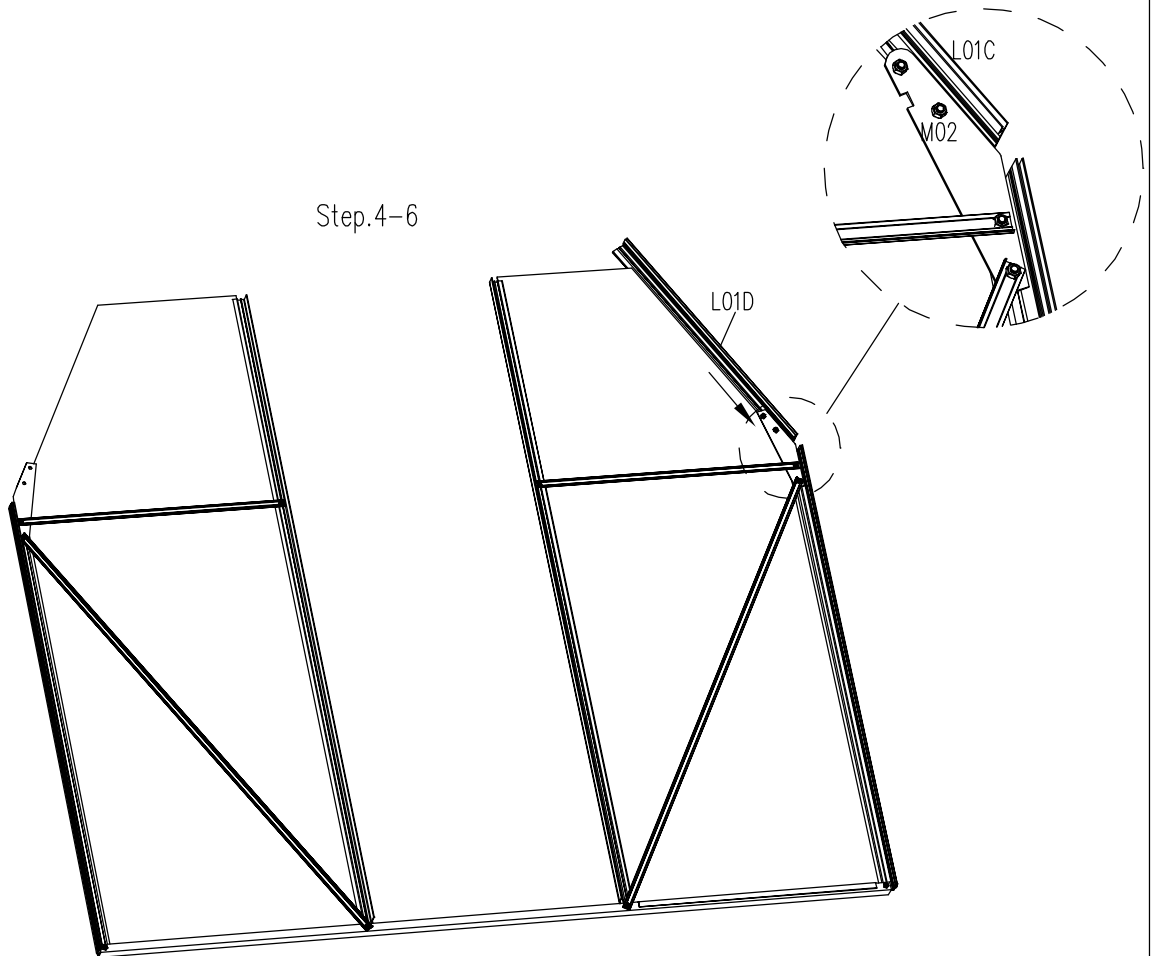
Step.4-4

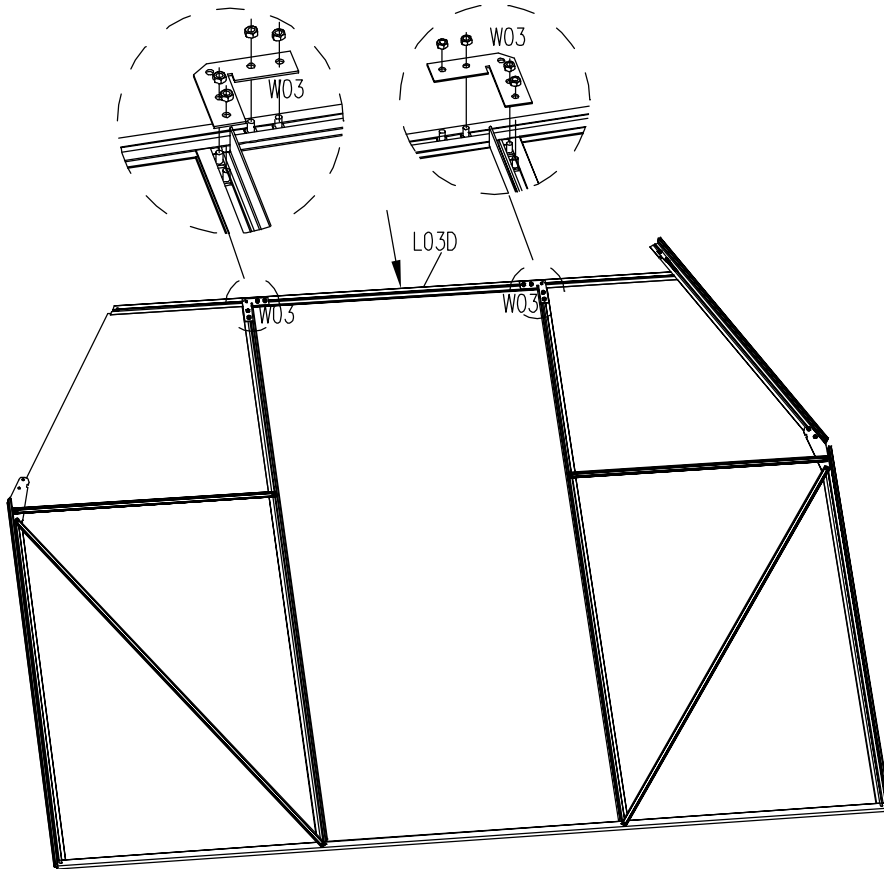


Step.4-5

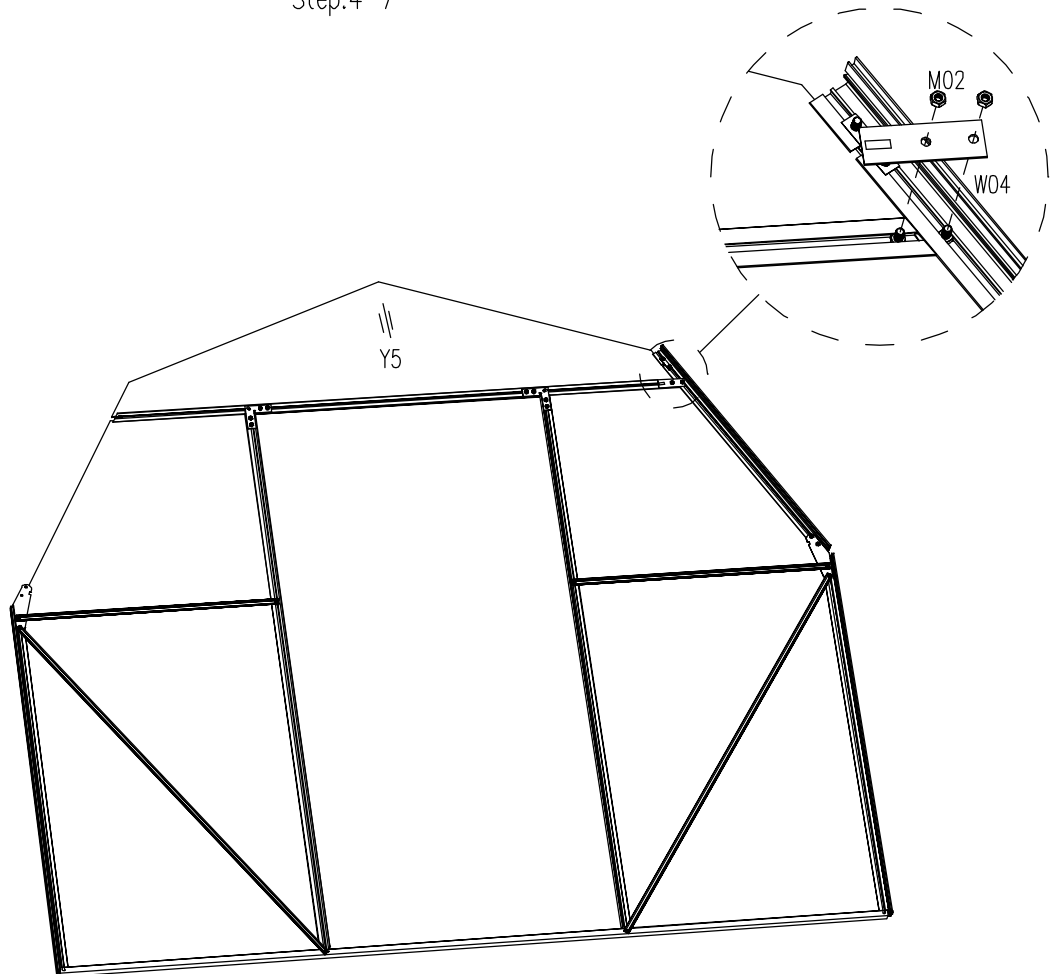


Step.4-6



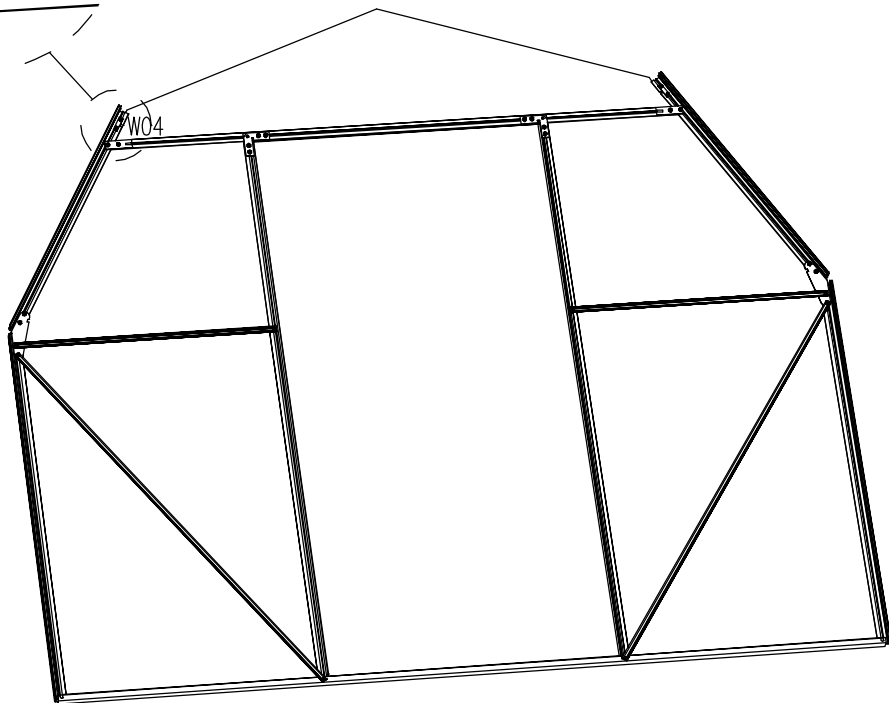
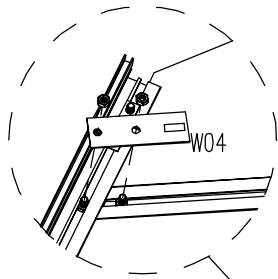
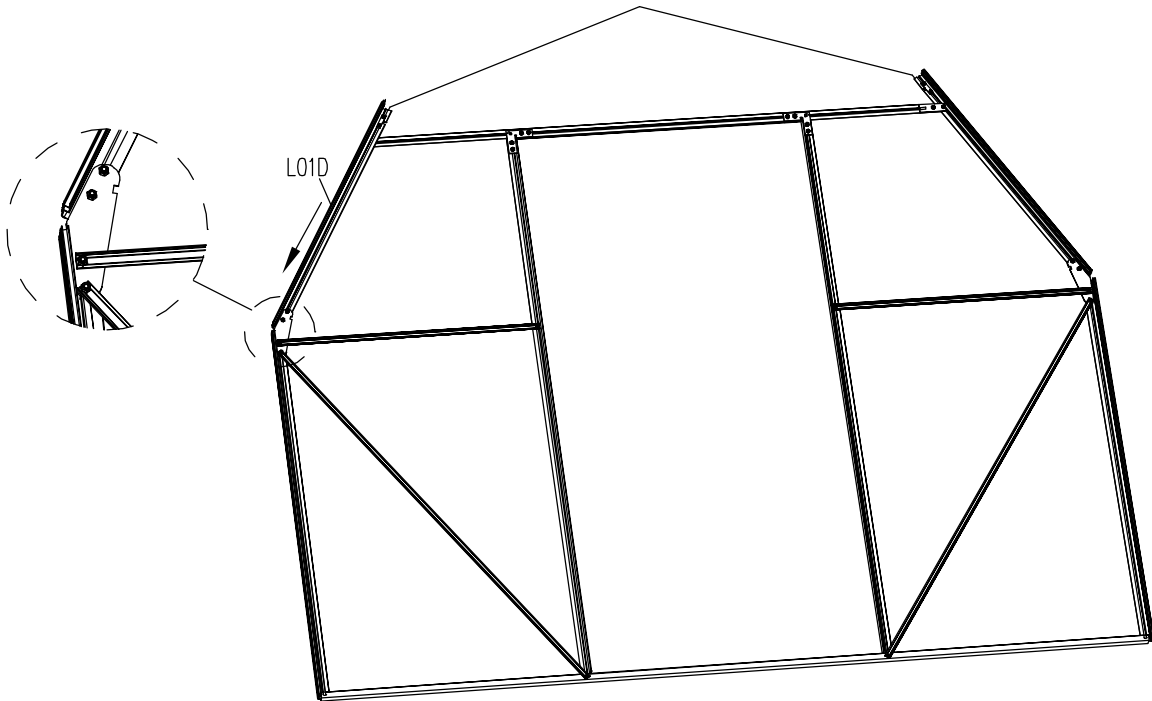


Step.4-7



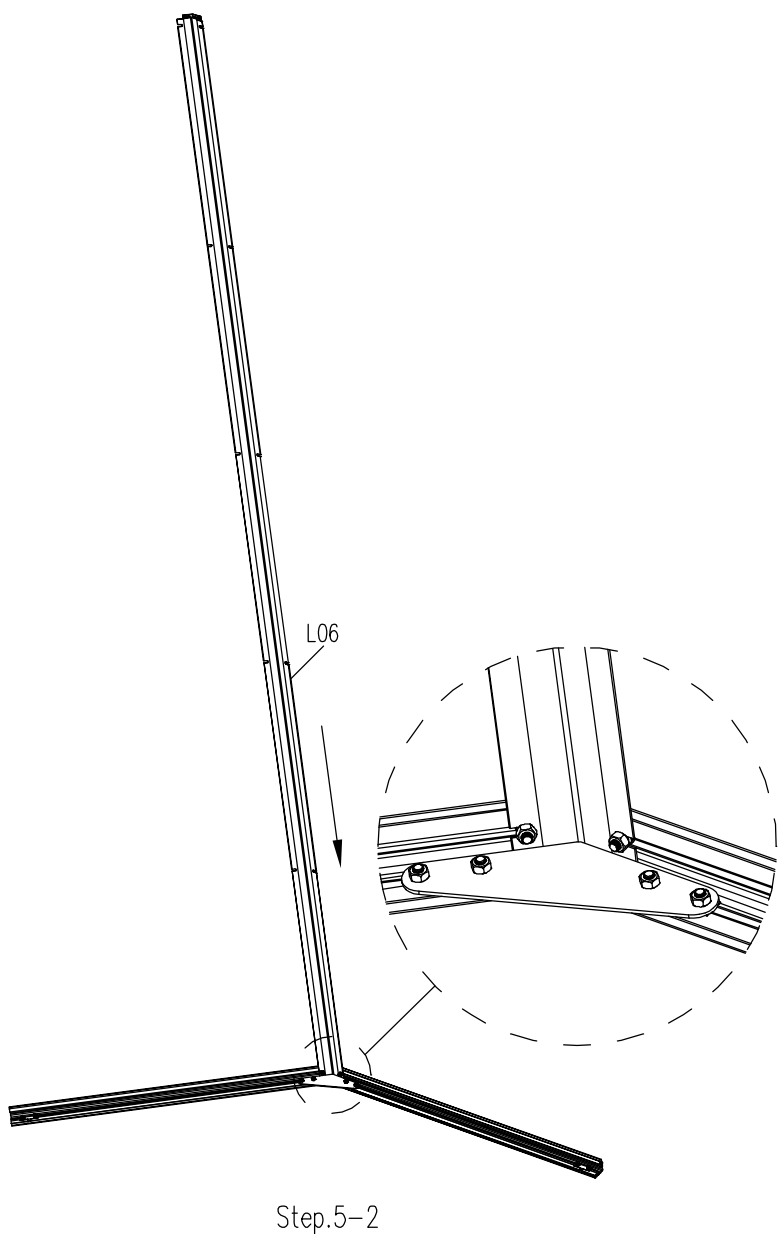
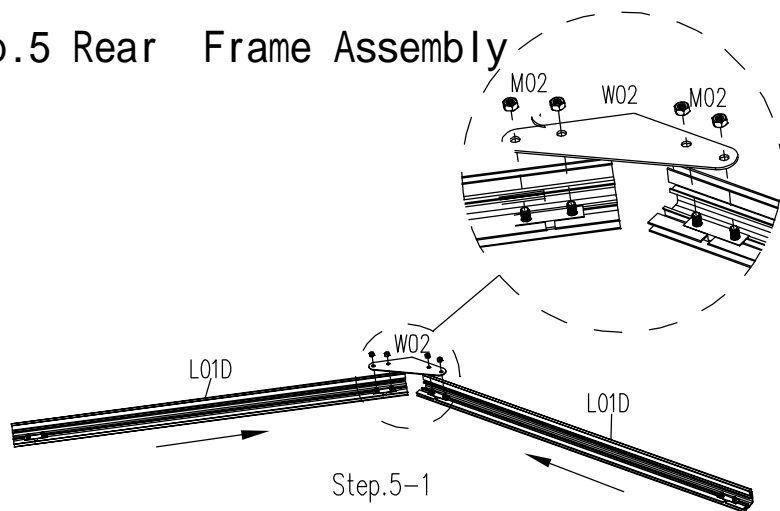
Step.4-8

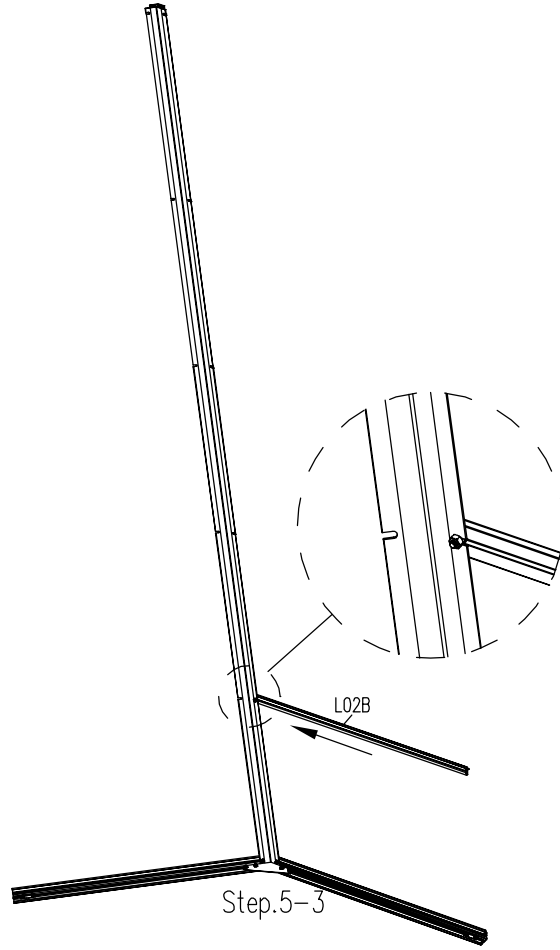
Step.4-9



Step.4-10

Step.5 Rear Frame Assembly

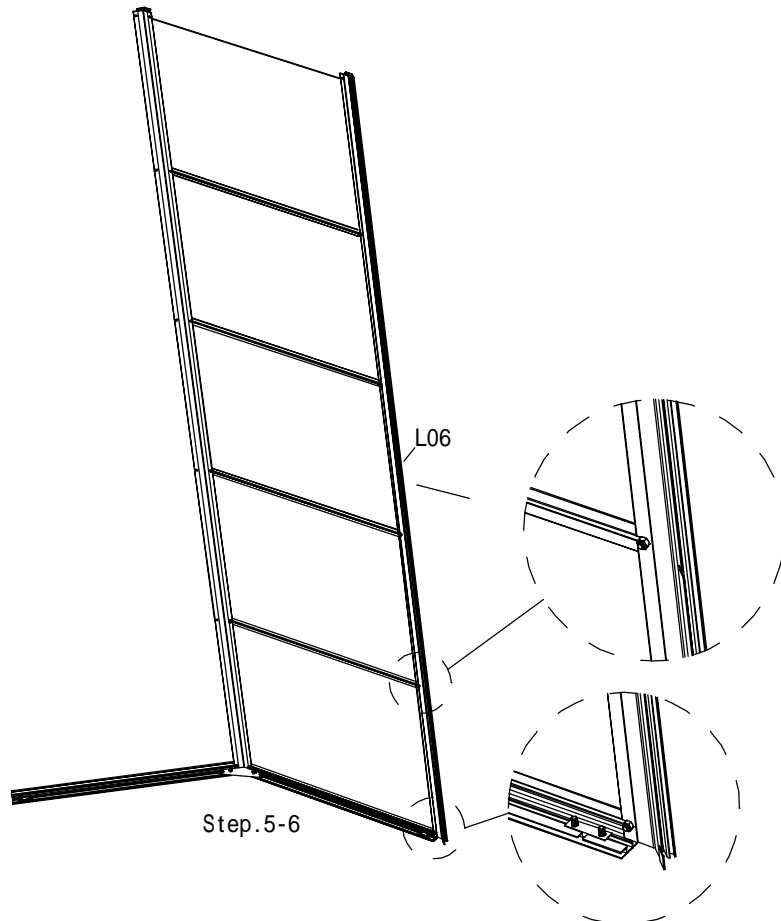
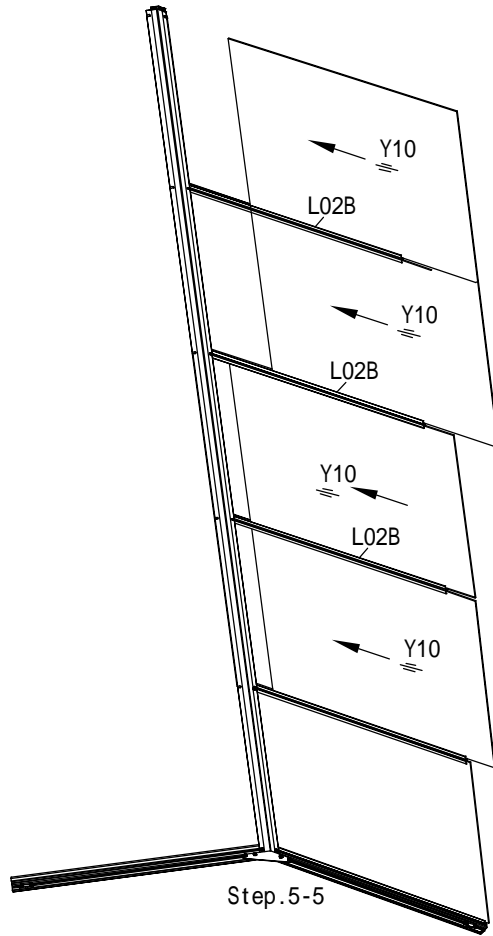


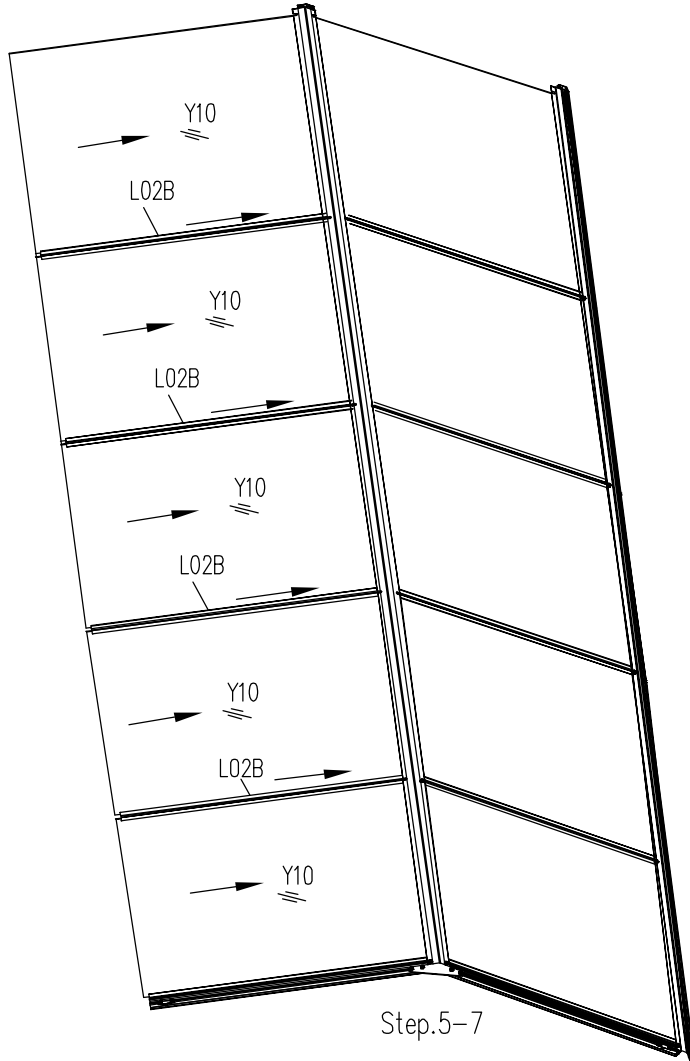


Step.5-3

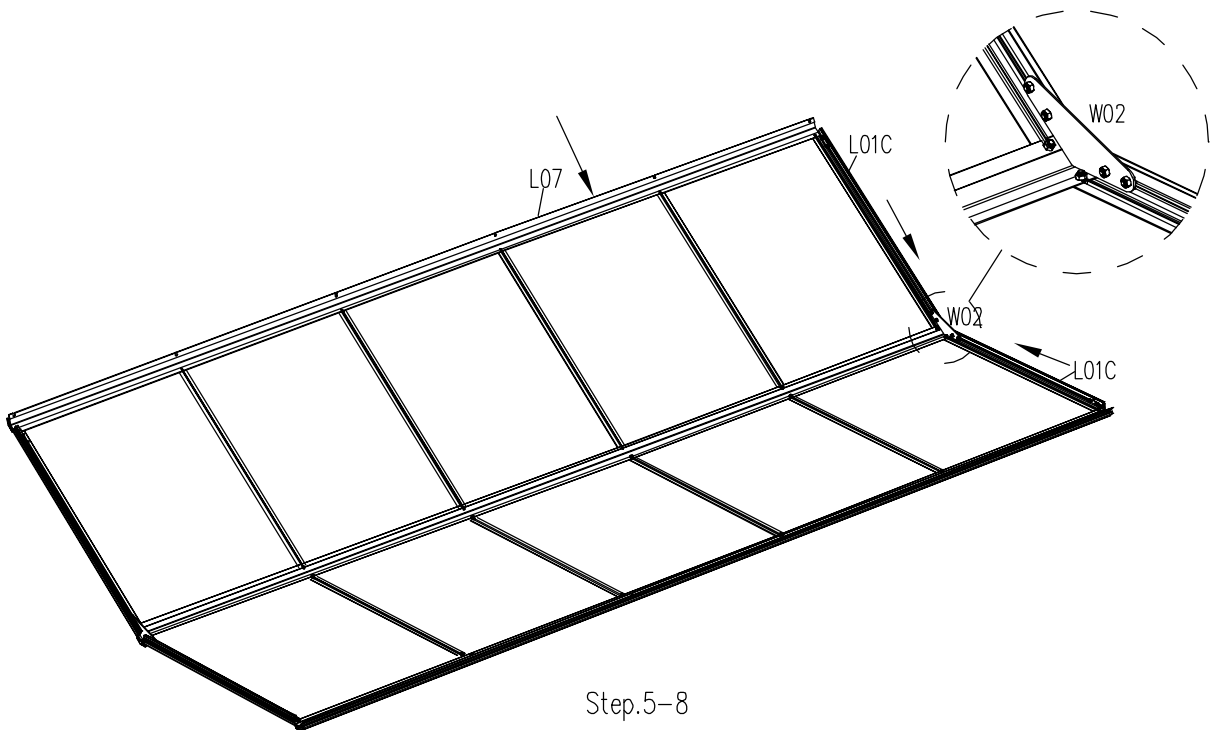


Step.5-4

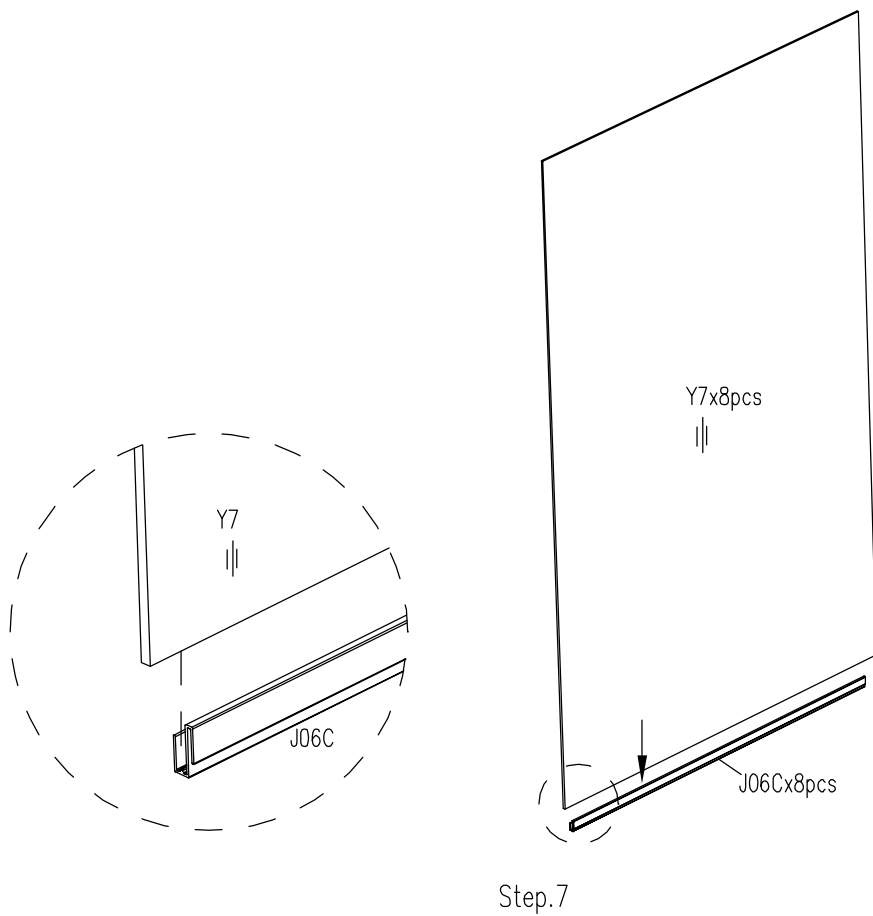
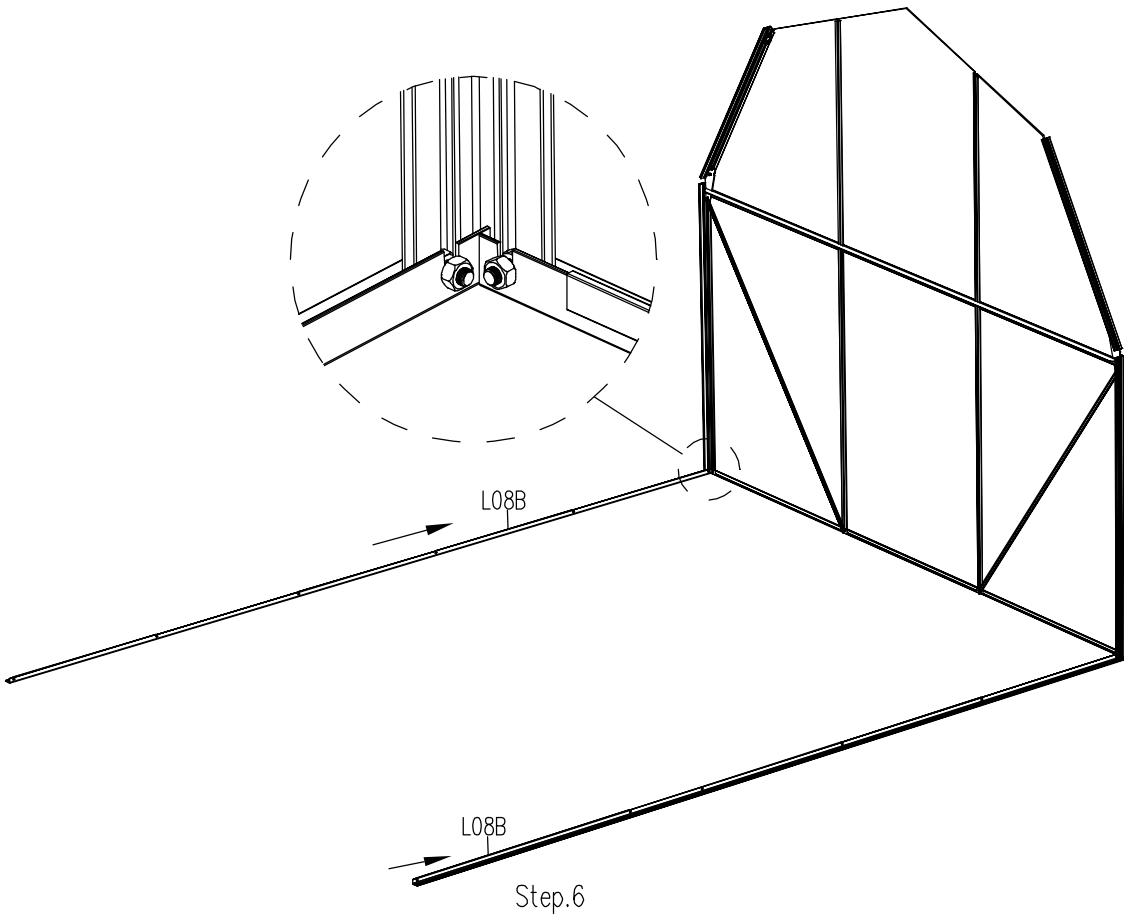


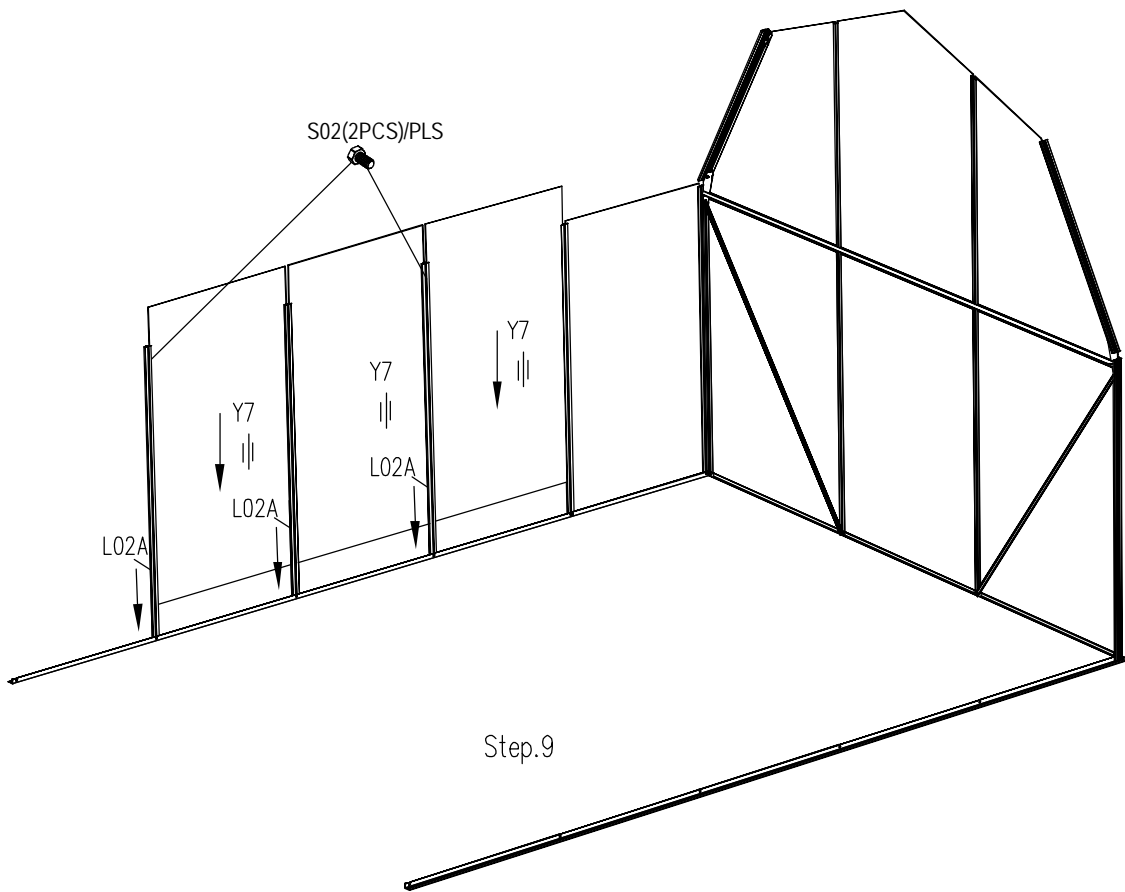
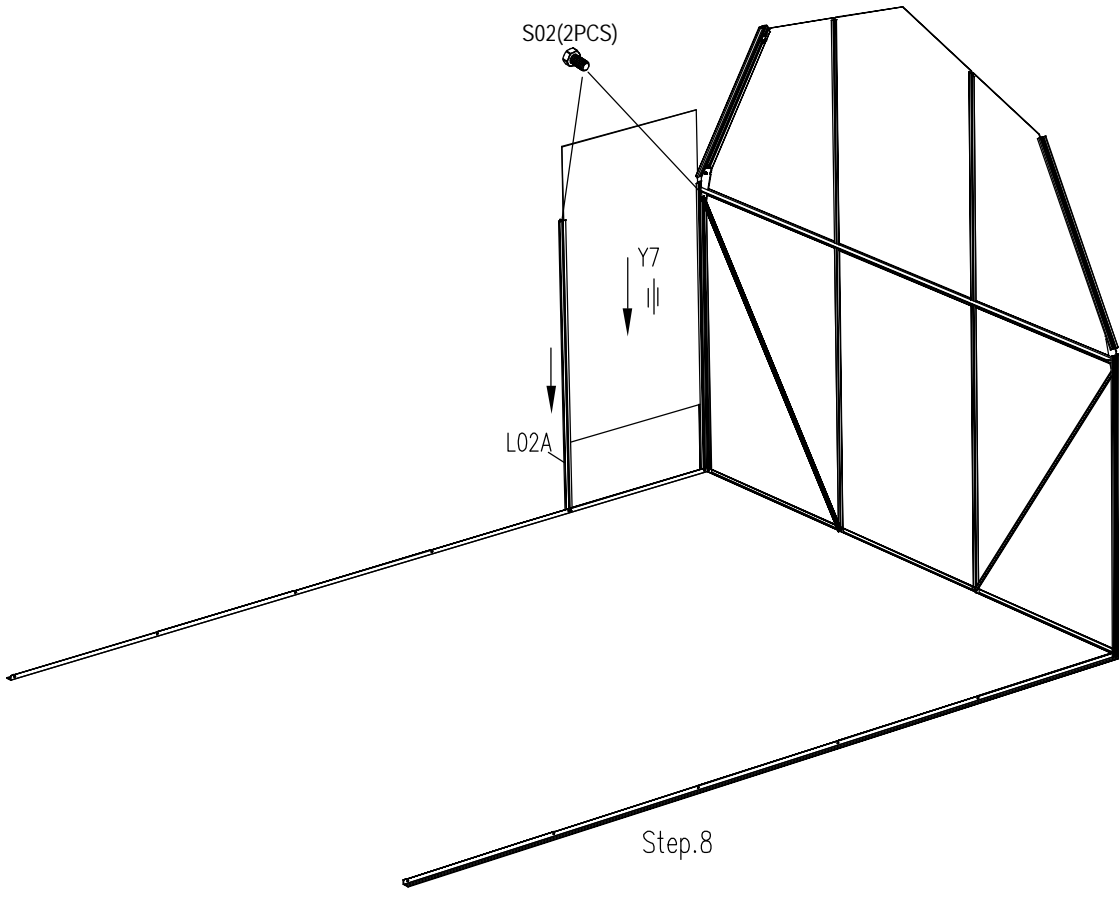


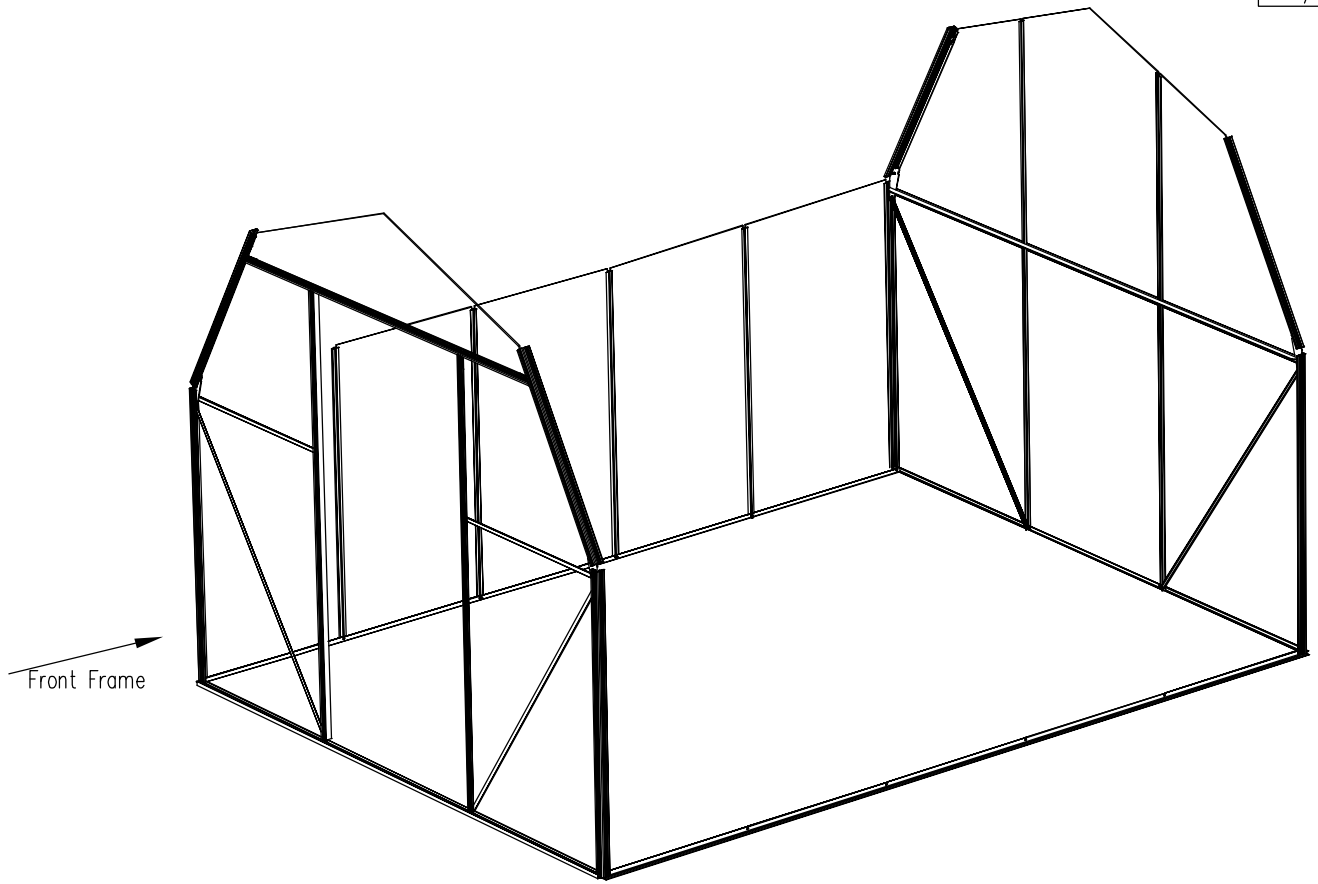
Step.5-7



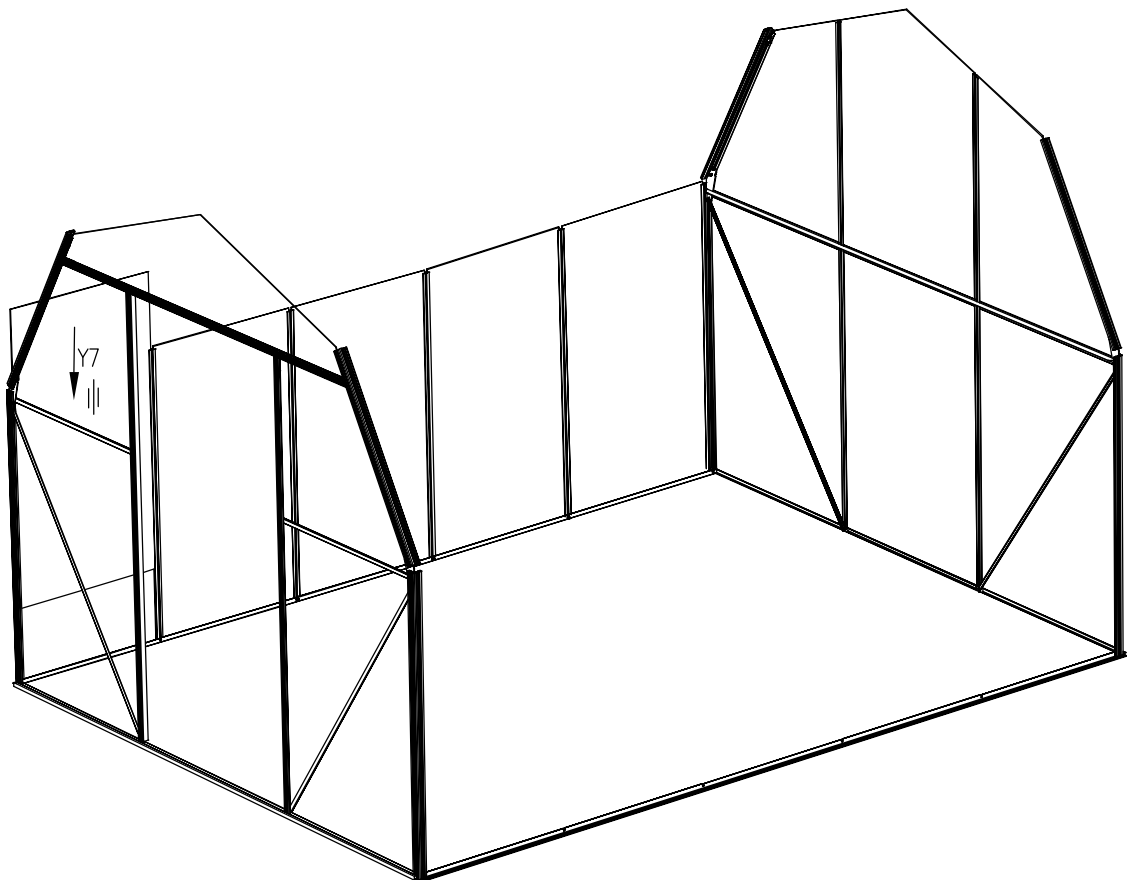
Step.5-8



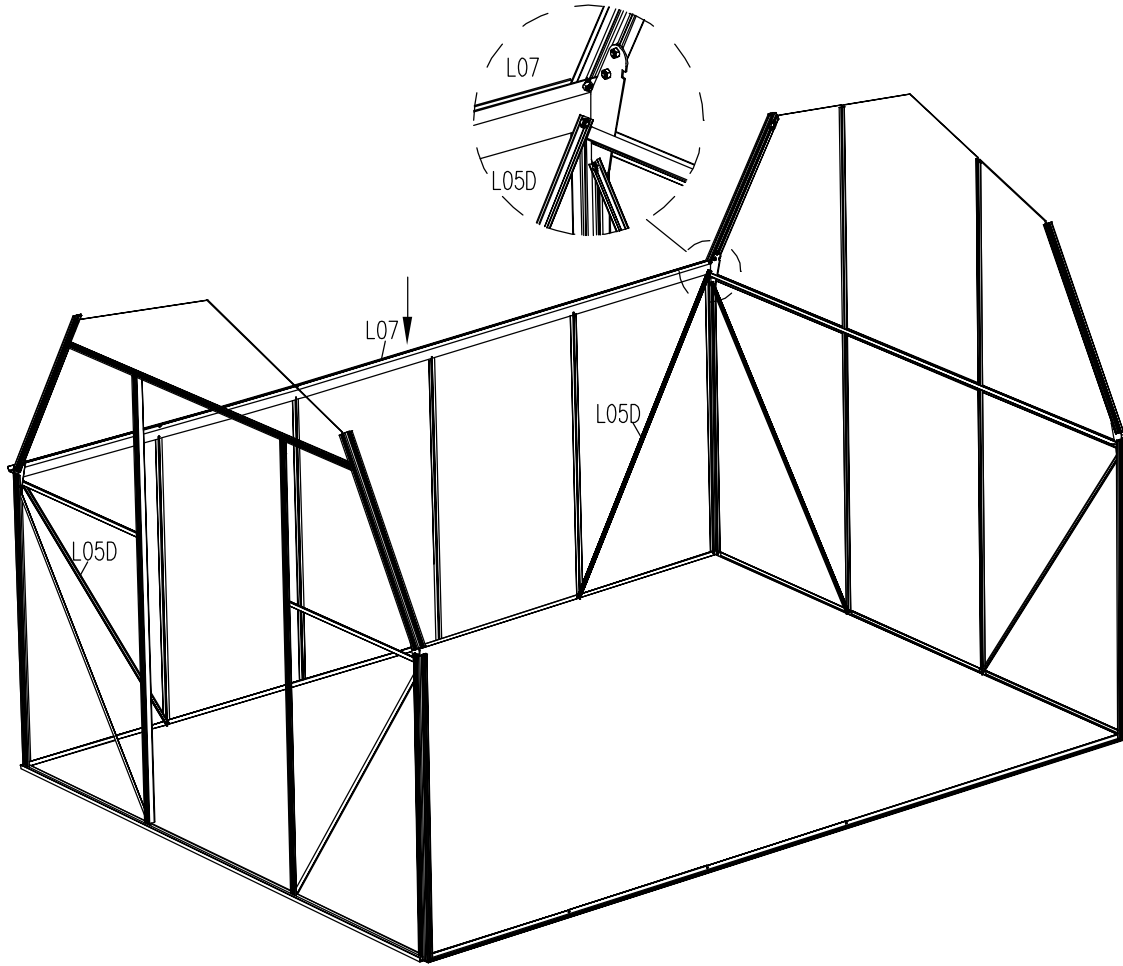




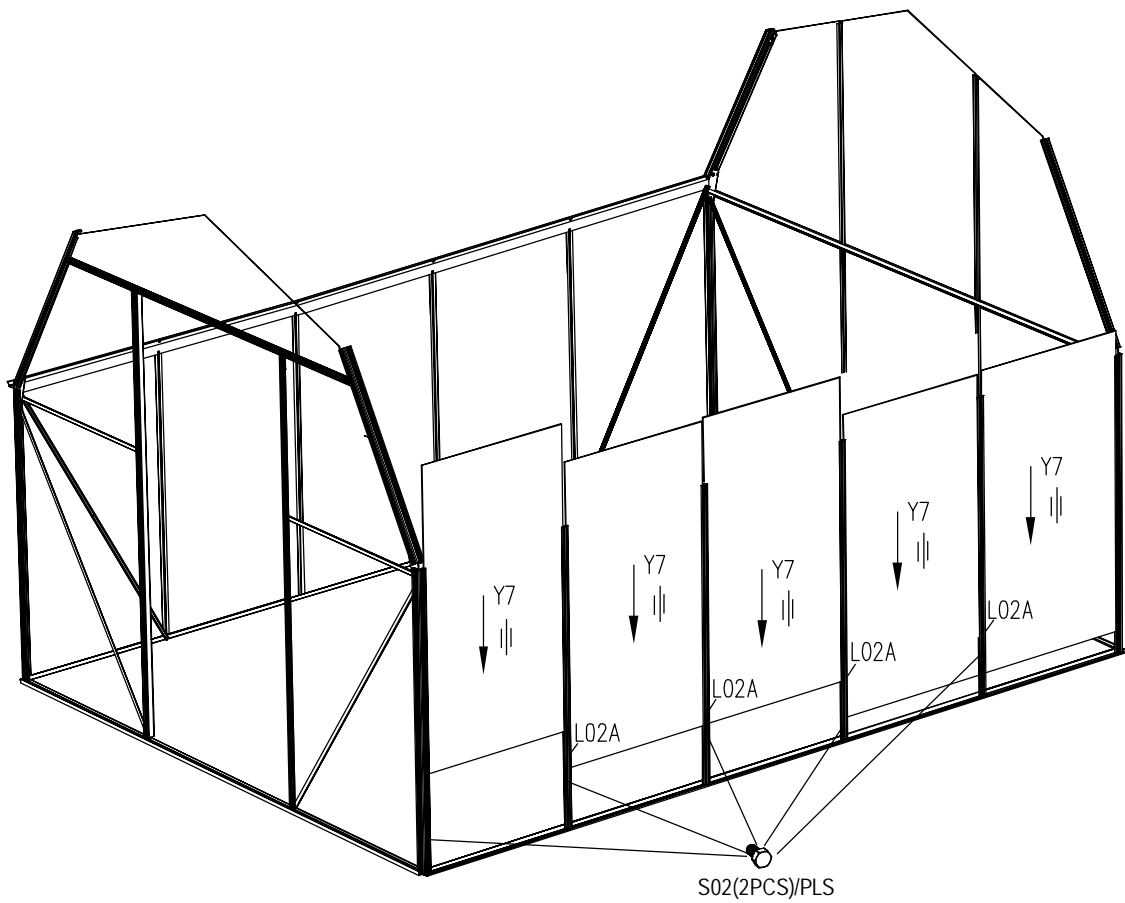
Step.10



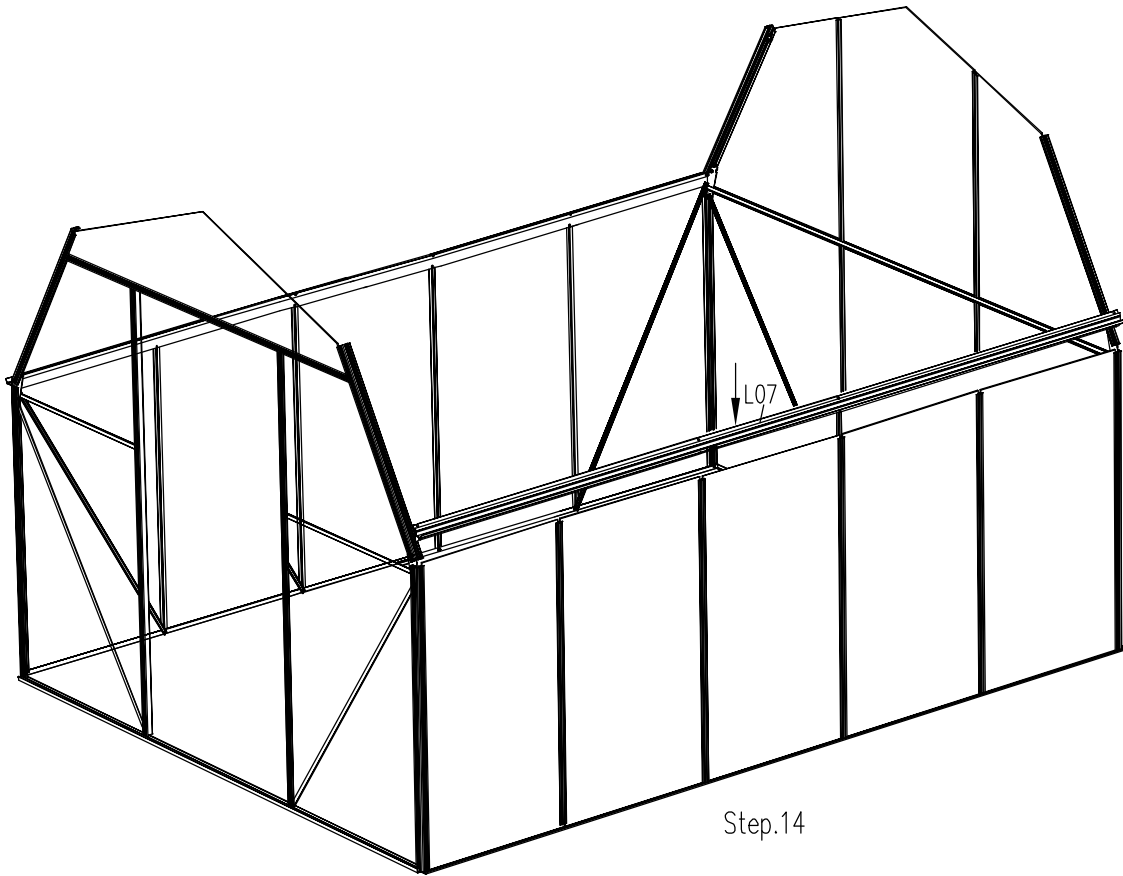
Step.11



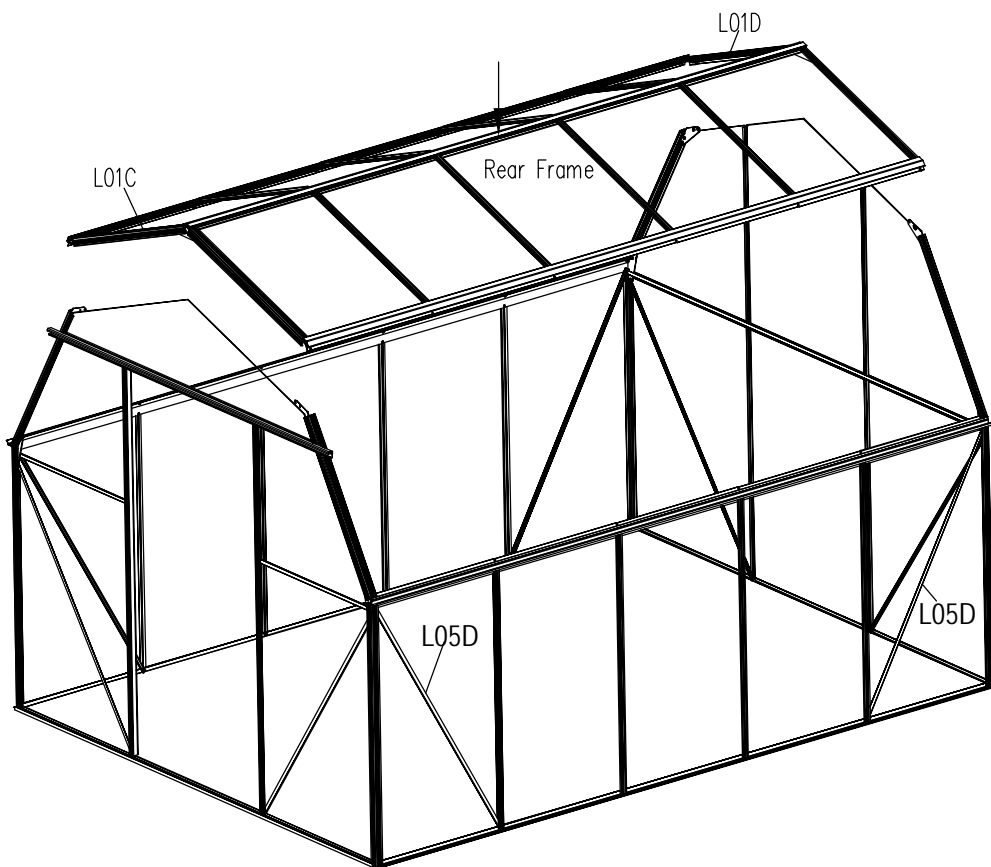
Step.12



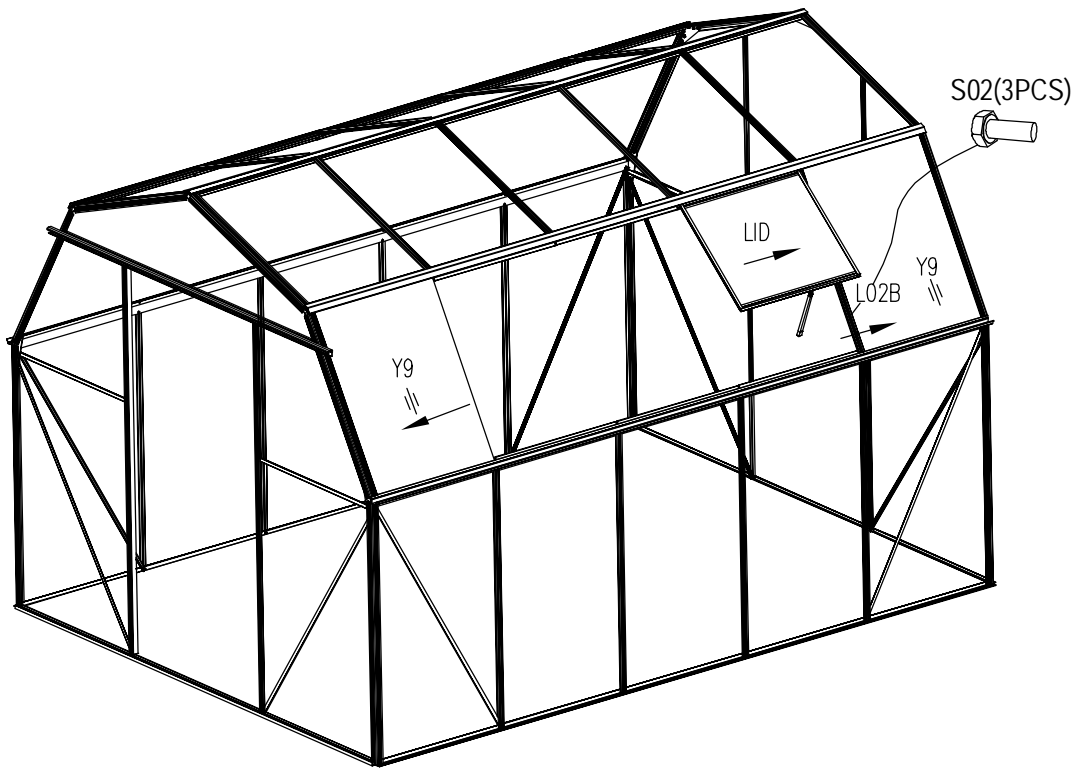
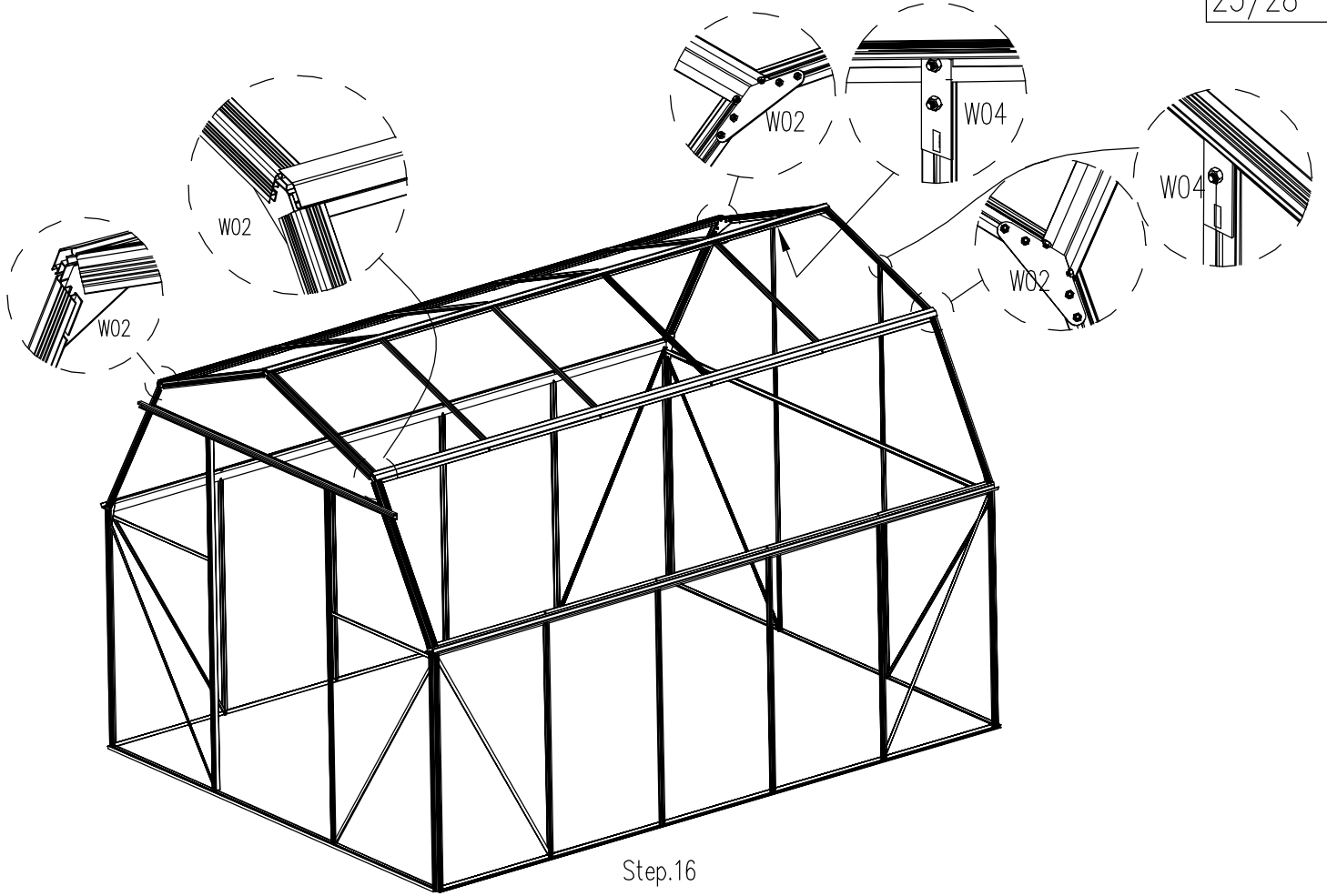
Step.13



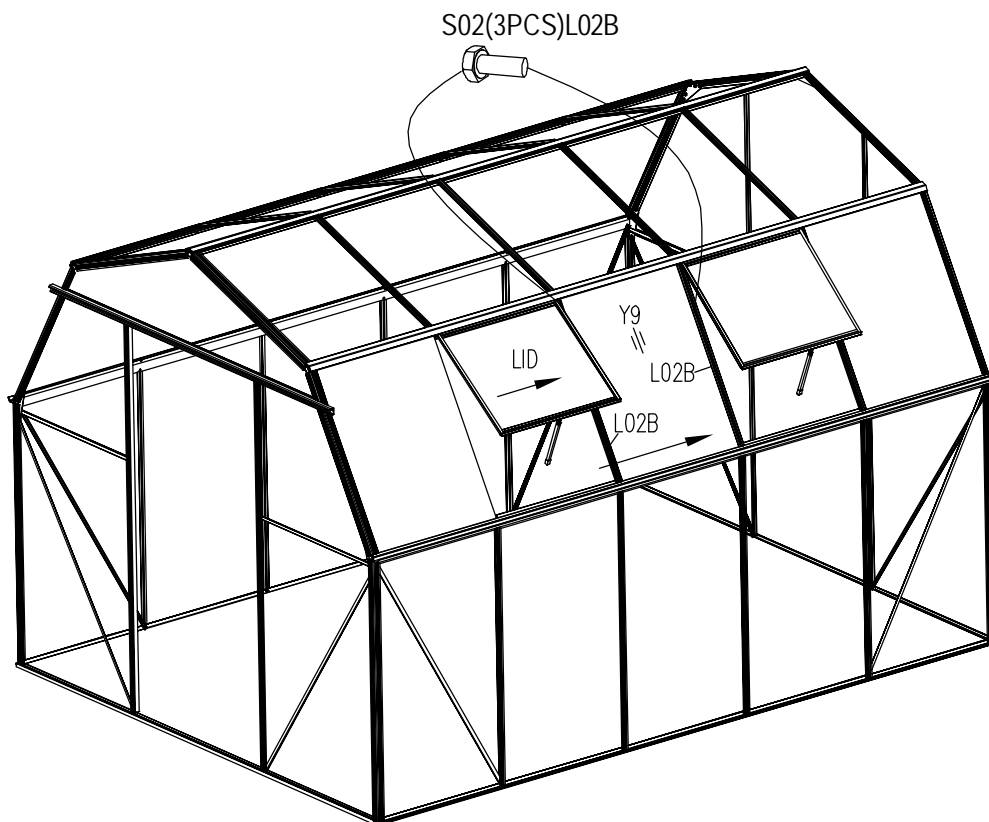
Step.14



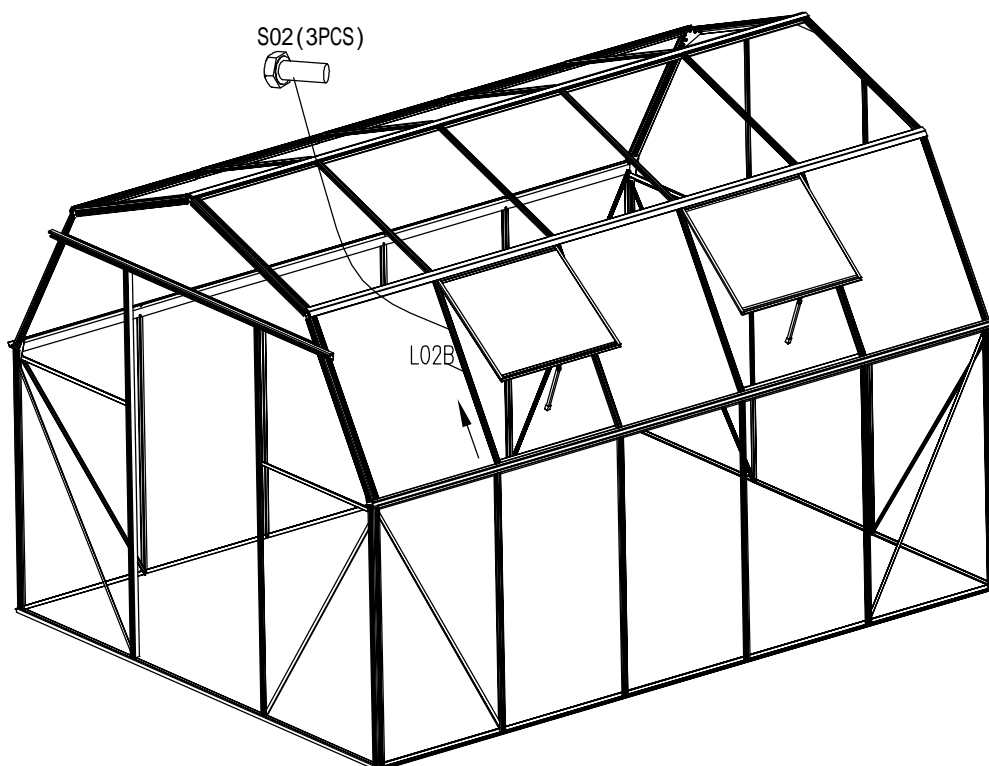
Step.15



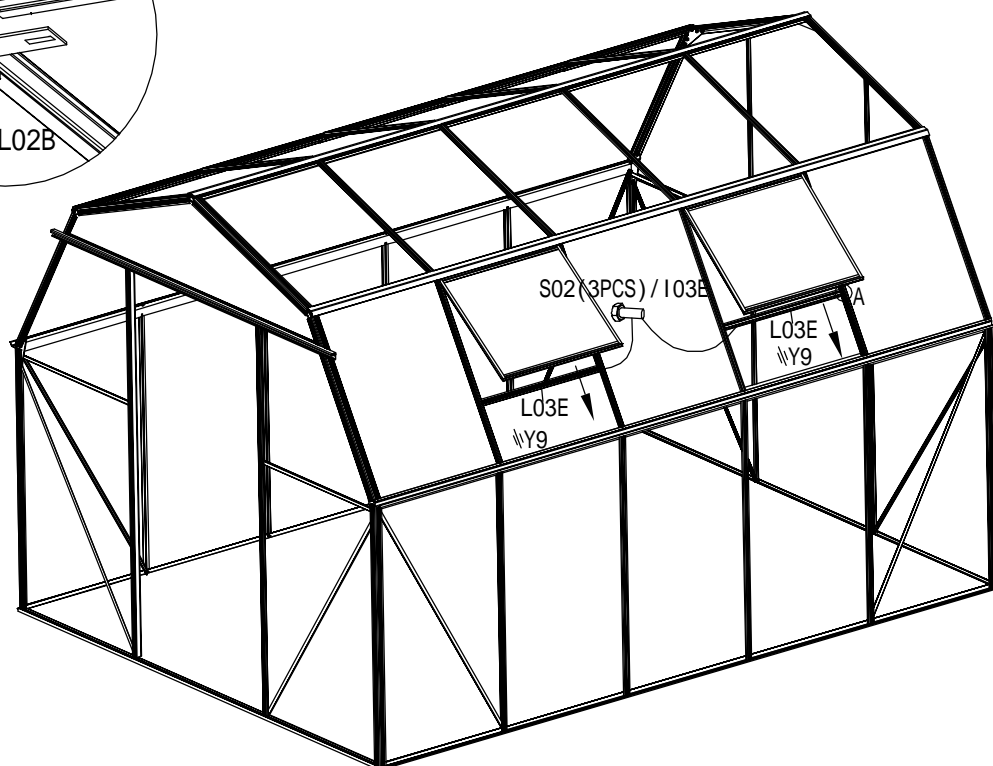
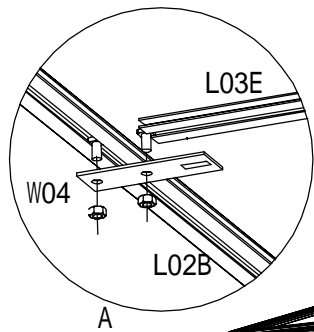
Step.17



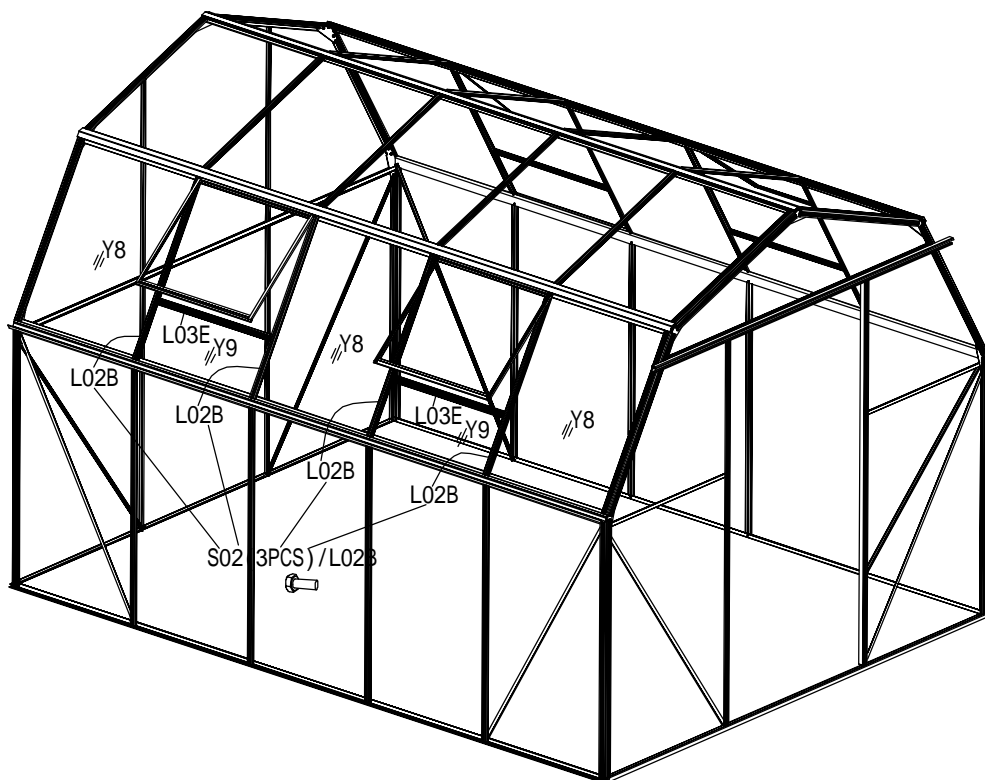
Step.18



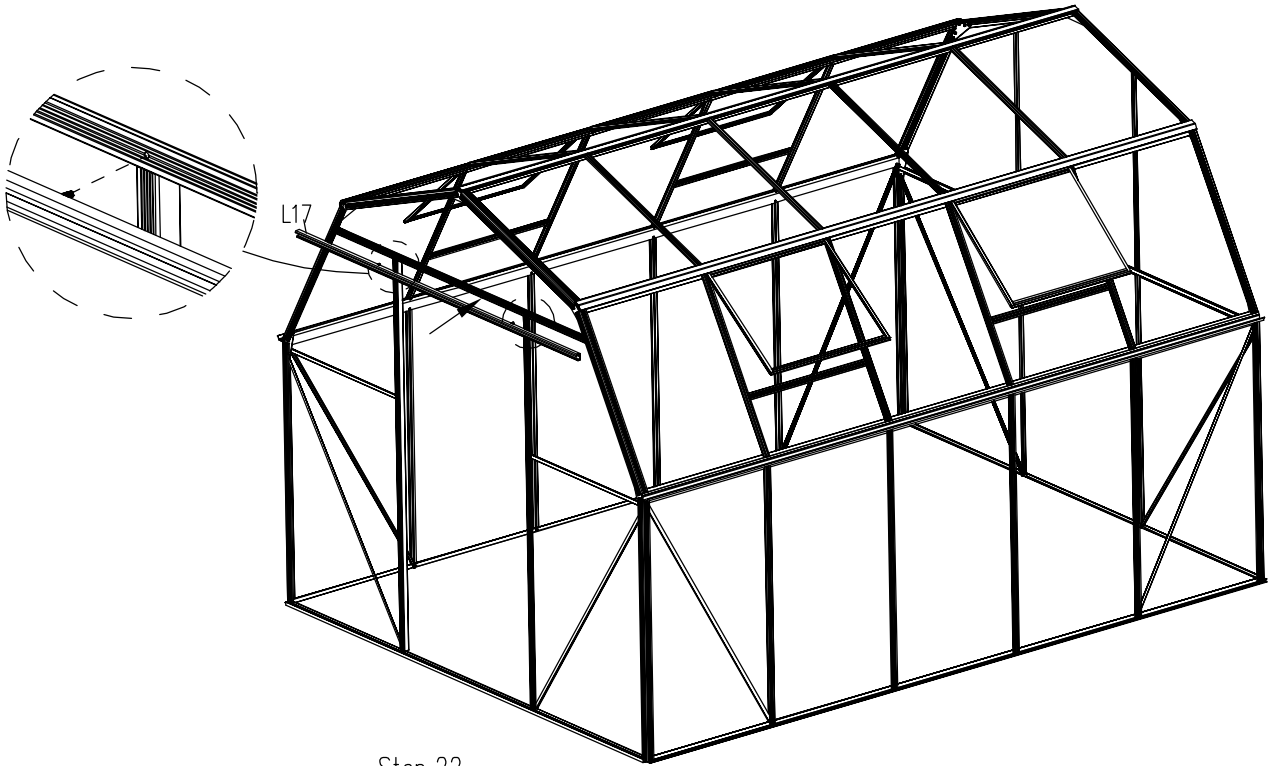
Step.19



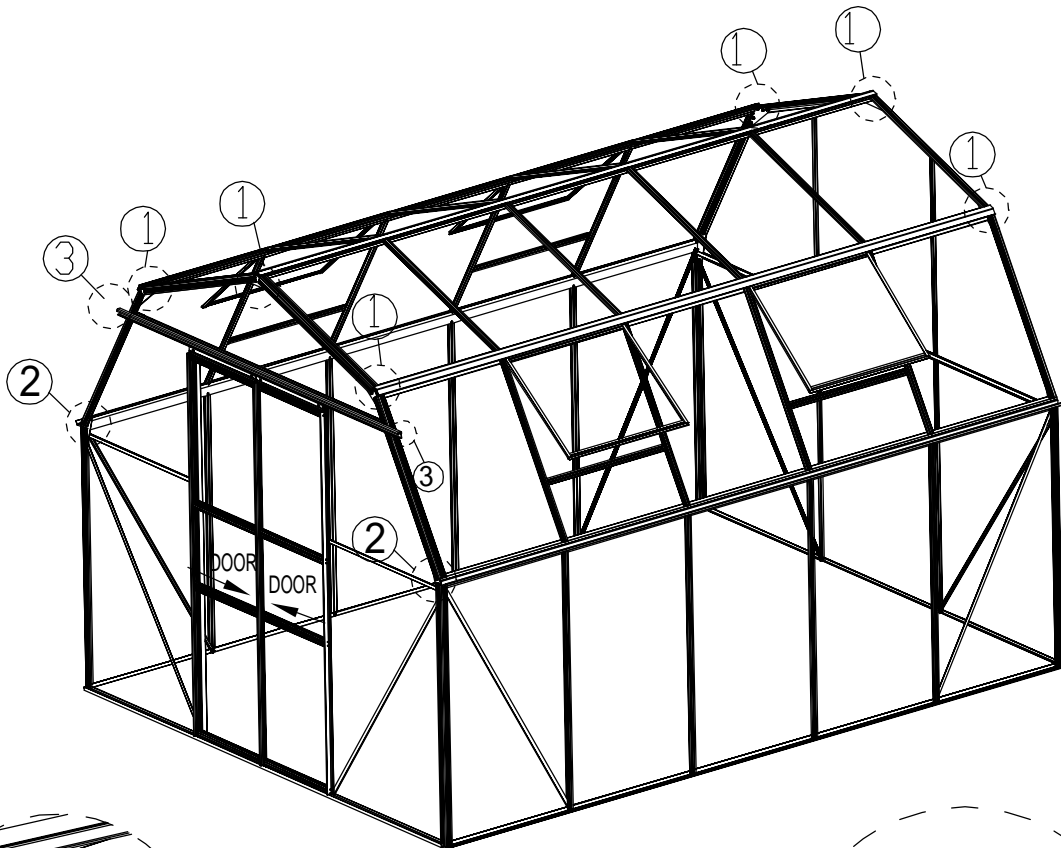
Step.20



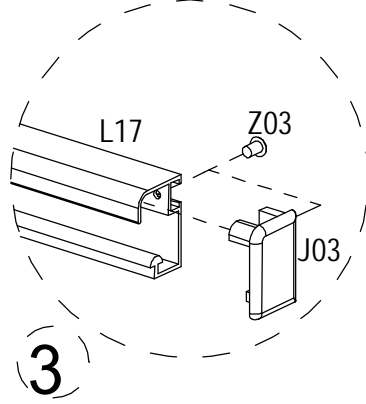
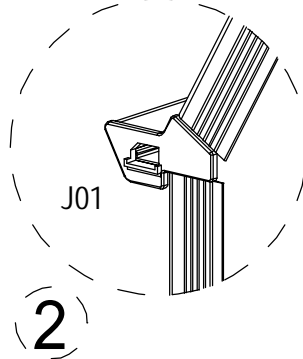
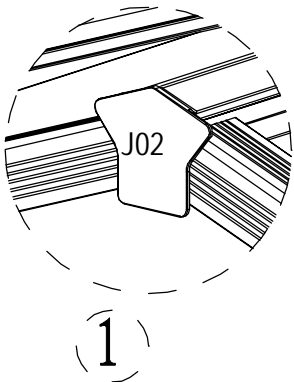
Step.21

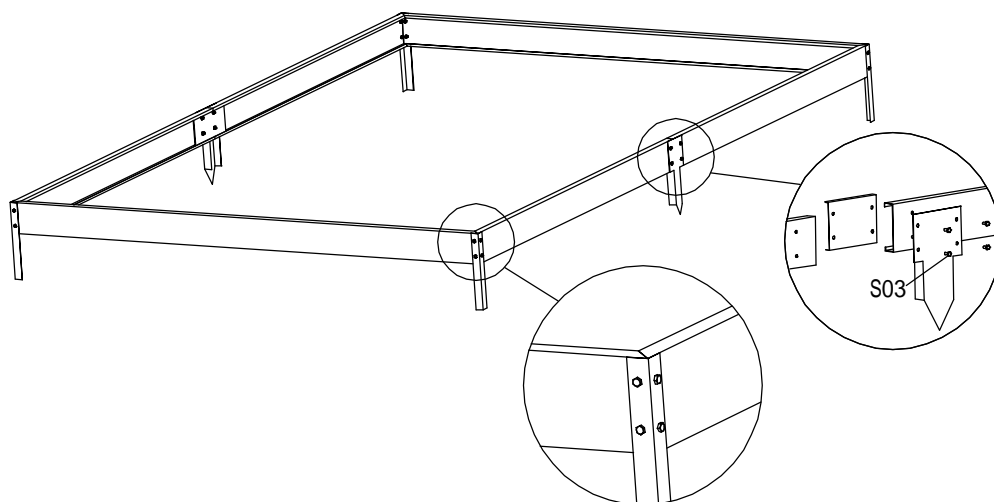





Step.22



Step.23





PART	NO.	QUA.
	S03	24
	M01	24
	W05	14

